

SIDE SECTION



WELLMARK ELECTRIC
PH: 519-650-4495
wellmarkelectric.com



CANULC S115 - 2 hr F
ASTM E814 - 2 hr F

MATERIALS: LID ASSEMBLY: 1/8" STAINLESS STEEL BODY: 12 GA & 16 GA NICKEL COATED STEEL

NOTES: - INSTALLATION REQUIRES AN 8" CORE DRILL (MAX 8 1/8") - INDOOR & IN DRY LOCATIONS ONLY



TITLE

SERIES 470 POKE THROUGH FLOOR BOX

DIMENSIONS IN INCHES
UNLESS OTHERWISE SPECIFIED

SCALE NTS

PART NO.

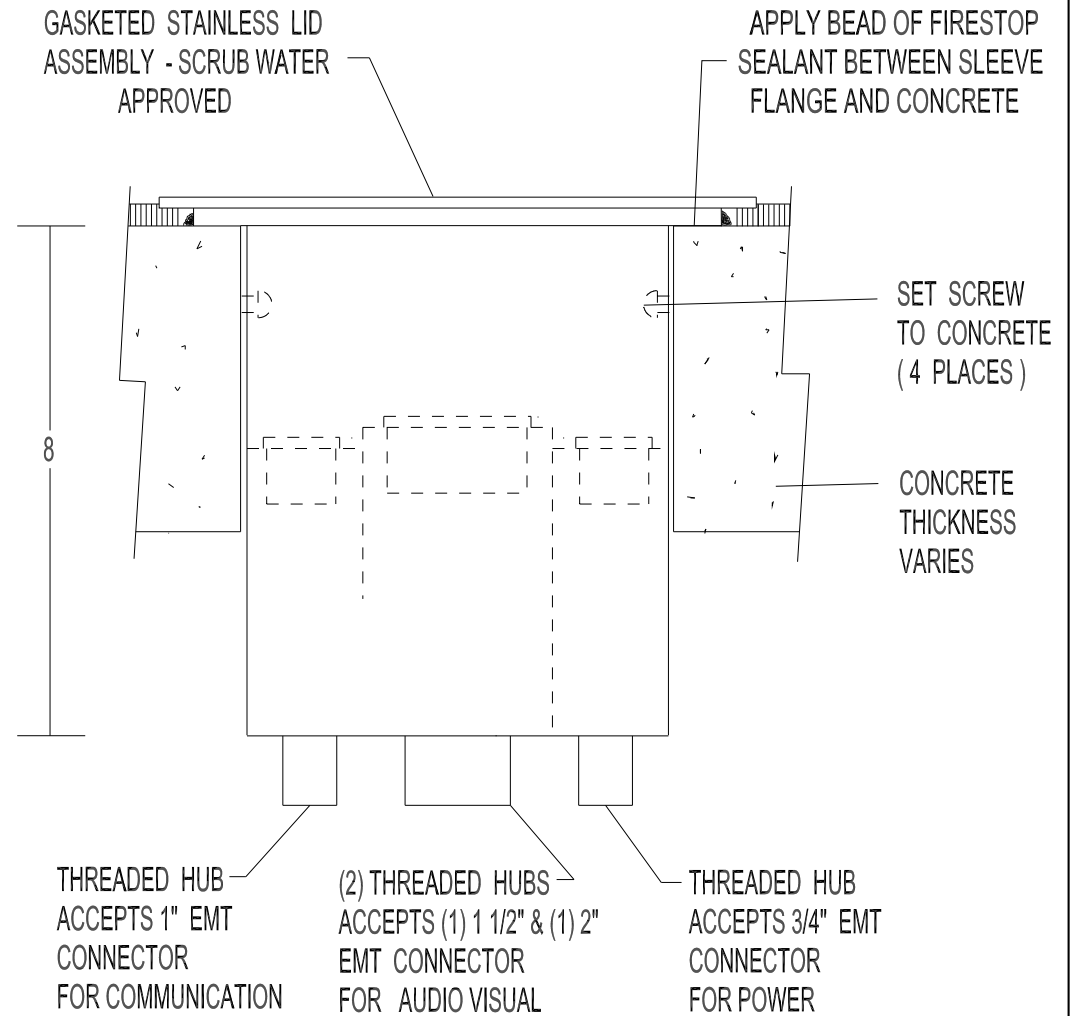
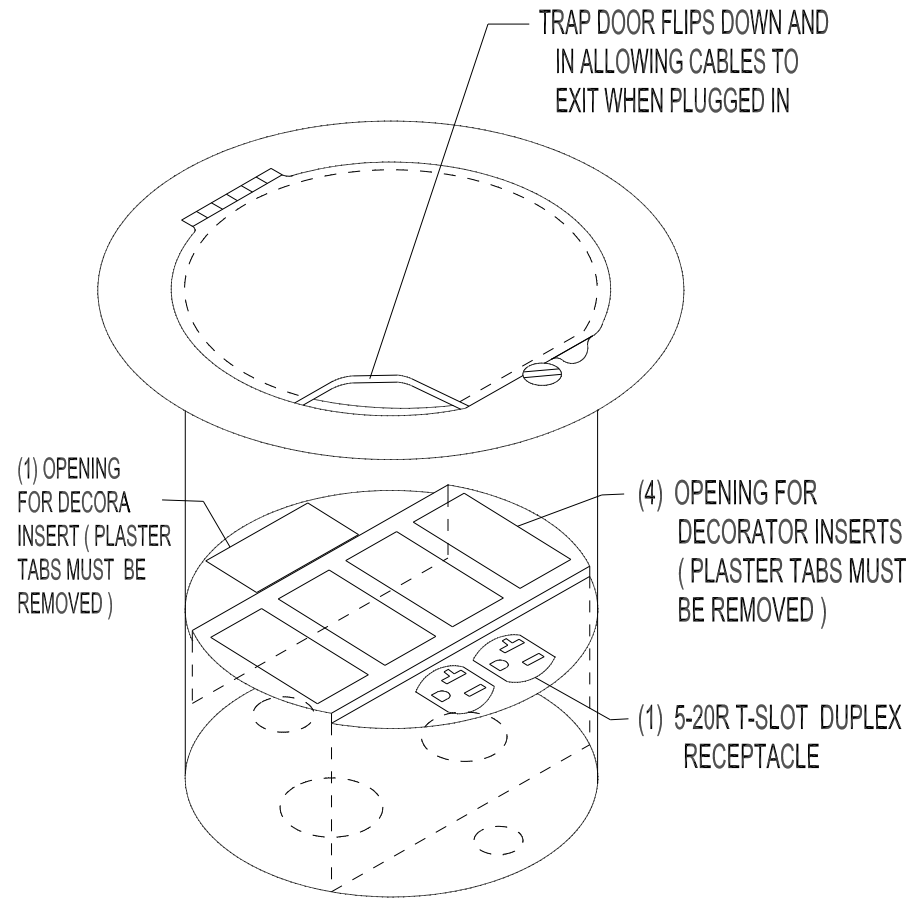
DR. BY MP

DATE 01 / 17

470-8-8-3-XXXX-X

APP. BY

DATE



SIDE SECTION


 WELLMARK ELECTRIC
 PH: 519-650-4495
 wellmarkelectric.com

 CANULC S115 - 2 hr F
 ASTM E814 - 2 hr F

MATERIALS: LID ASSEMBLY: 1/8" STAINLESS STEEL BODY: 12 GA & 16 GA NICKEL COATED STEEL

NOTES: - INSTALLATION REQUIRES AN 8" CORE DRILL (MAX 8 1/8") - INDOOR & IN DRY LOCATIONS ONLY



TITLE

SERIES 470 POKE THROUGH FLOOR BOX

DIMENSIONS IN INCHES
UNLESS OTHERWISE SPECIFIED

SCALE NTS

PART NO.

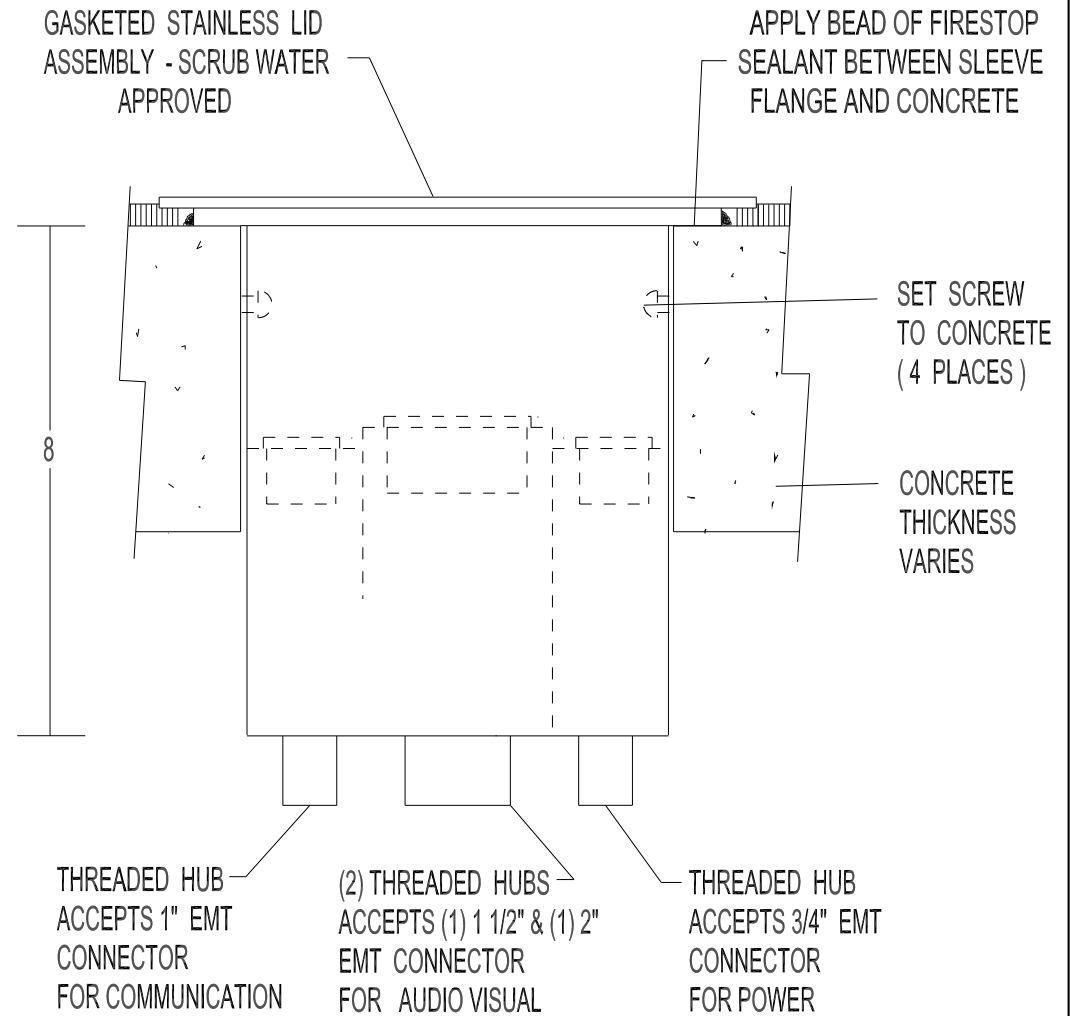
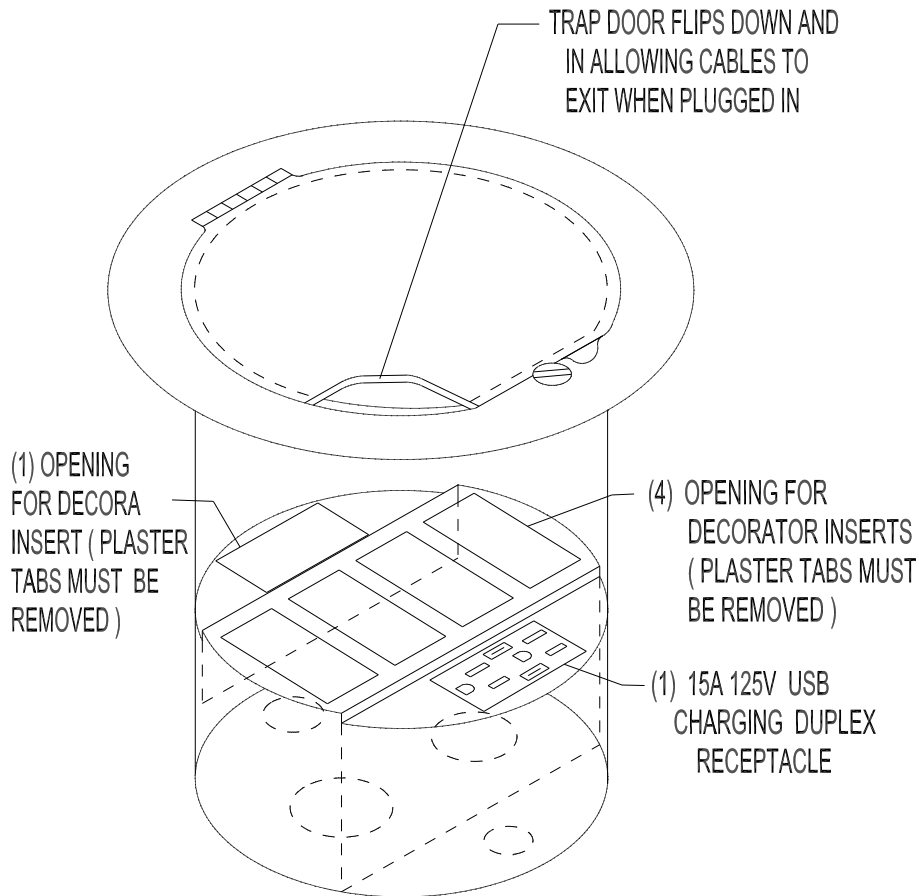
DR. BY MP

DATE 01 / 17

470-8-8-5-XXXX-X

APP. BY

DATE



SIDE SECTION



WELLMARK ELECTRIC
PH: 519-650-4495
wellmarkelectric.com



CANULC S115 - 2 hr F
ASTM E814 - 2 hr F

MATERIALS: LID ASSEMBLY: 1/8" STAINLESS STEEL BODY: 12 GA & 16 GA NICKEL COATED STEEL

NOTES: - INSTALLATION REQUIRES AN 8" CORE DRILL (MAX 8 1/8") - INDOOR & IN DRY LOCATIONS ONLY



TITLE

SERIES 470 POKE THROUGH FLOOR BOX

DIMENSIONS IN INCHES
UNLESS OTHERWISE SPECIFIED

SCALE NTS

PART NO.

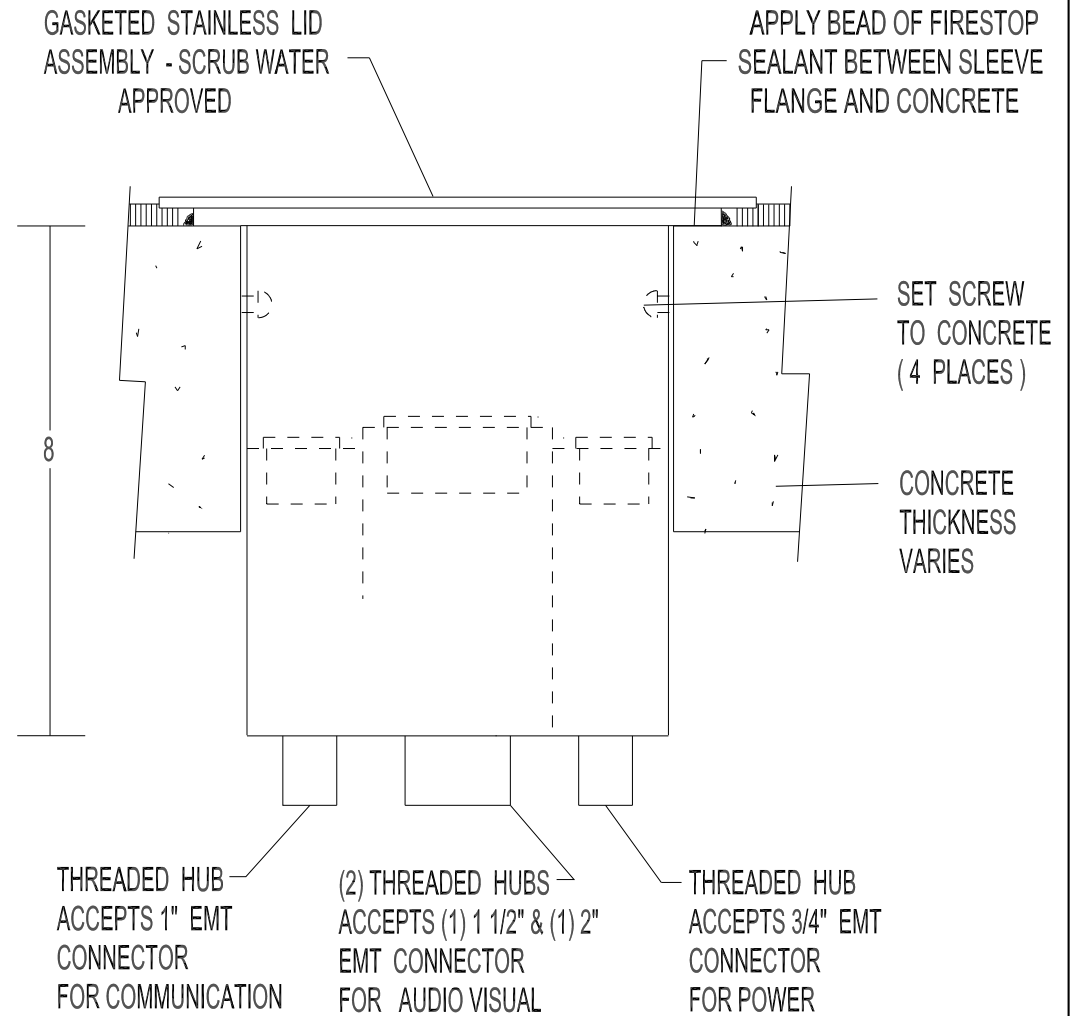
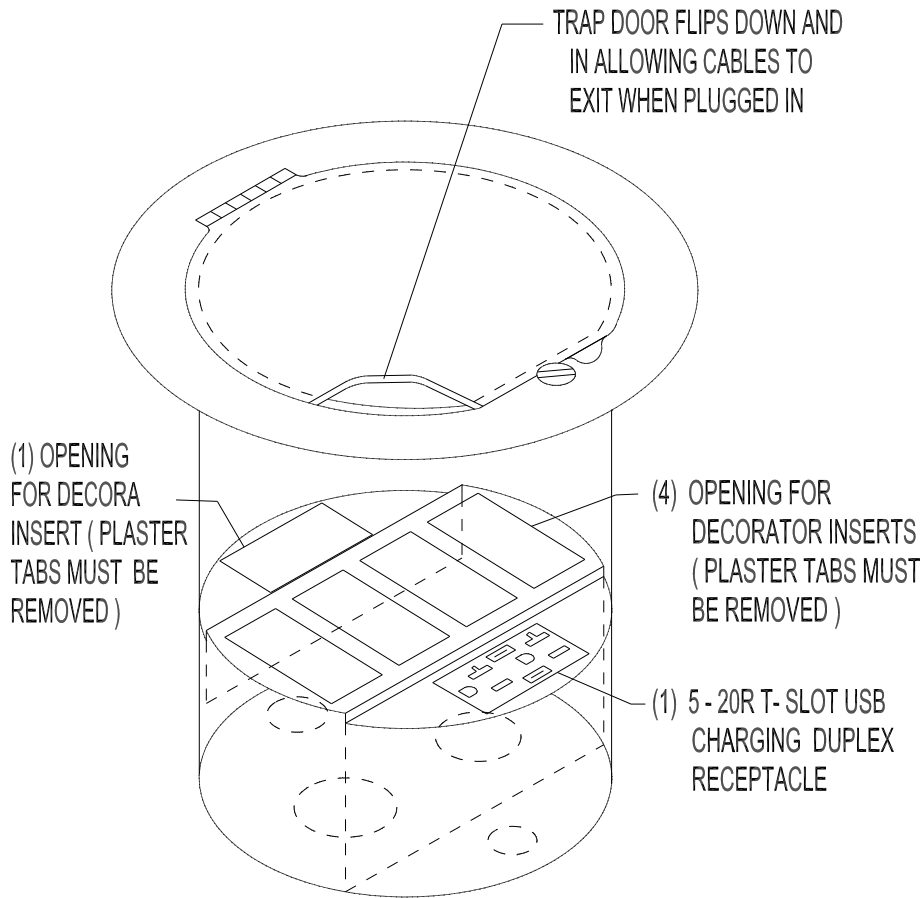
DR. BY MP

DATE 01 / 17

470-8-8-3-USB-XXXX-X

APP. BY

DATE



SIDE SECTION


 WELLMARK ELECTRIC
 PH: 519-650-4495
 wellmarkelectric.com

 CANULC S115 - 2 hr F
 ASTM E814 - 2 hr F

MATERIALS: LID ASSEMBLY: 1/8" STAINLESS STEEL BODY: 12 GA & 16 GA NICKEL COATED STEEL

NOTES: - INSTALLATION REQUIRES AN 8" CORE DRILL (MAX 8 1/8") - INDOOR & IN DRY LOCATIONS ONLY



TITLE

SERIES 470 POKE THROUGH FLOOR BOX

DIMENSIONS IN INCHES
UNLESS OTHERWISE SPECIFIED

SCALE NTS

PART NO.

DR. BY MP

DATE 01 / 17

470-8-8-5-USB-XXXX-X

APP. BY

DATE