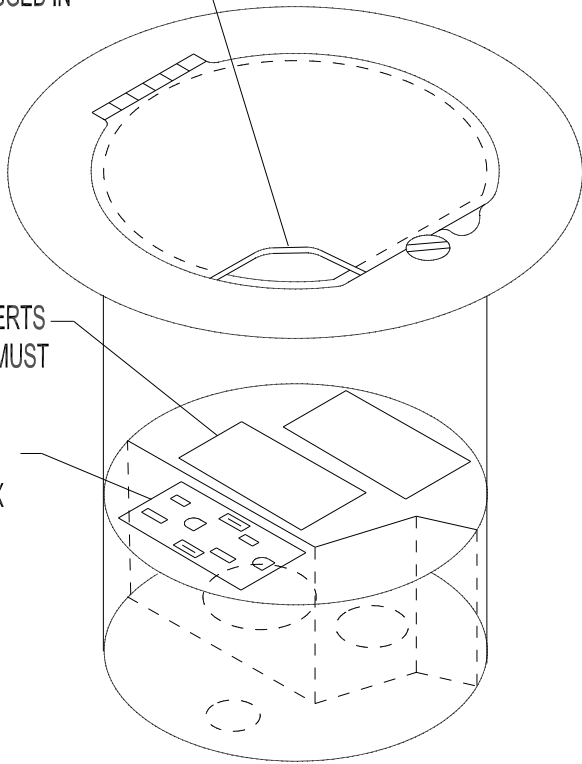
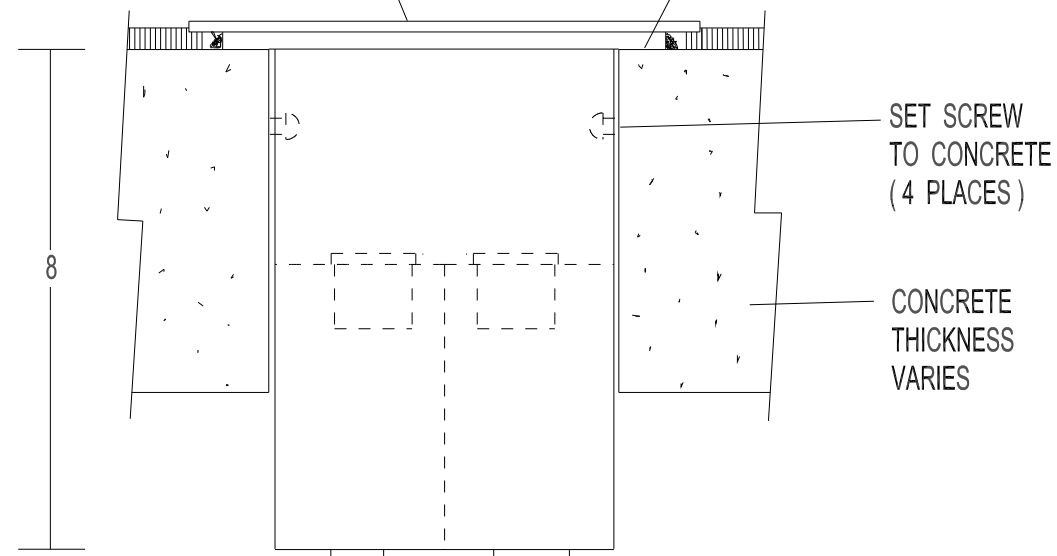


TRAP DOOR FLIPS DOWN AND
IN ALLOWING CABLES TO
EXIT WHEN PLUGGED IN



GASKETED STAINLESS LID
ASSEMBLY - SCRUB WATER
APPROVED

APPLY BEAD OF FIRESTOP
SEALANT BETWEEN SLEEVE
FLANGE AND CONCRETE



THREADED HUB
ACCEPTS 3/4"
EMT CONNECTOR
FOR POWER

(2) THREADED HUBS
ACCEPTS (1) 1" & (1) 1 1/2"
EMT CONNECTOR FOR
COMMUNICATION OR AV

SIDE SECTION



WELLMARK ELECTRIC
PH: 519-650-4495
wellmarkelectric.com



CAN/ULC S115 - 2 hr F
ASTM E814 - 2 hr F

MATERIALS: LID ASSEMBLY: 1/8" STAINLESS STEEL BODY: 12 GA & 16 GA NICKEL COATED STEEL

NOTES: - INSTALLATION REQUIRES 6" CORE DRILL (MAX 6 1/8") - INDOOR & IN DRY LOCATIONS ONLY

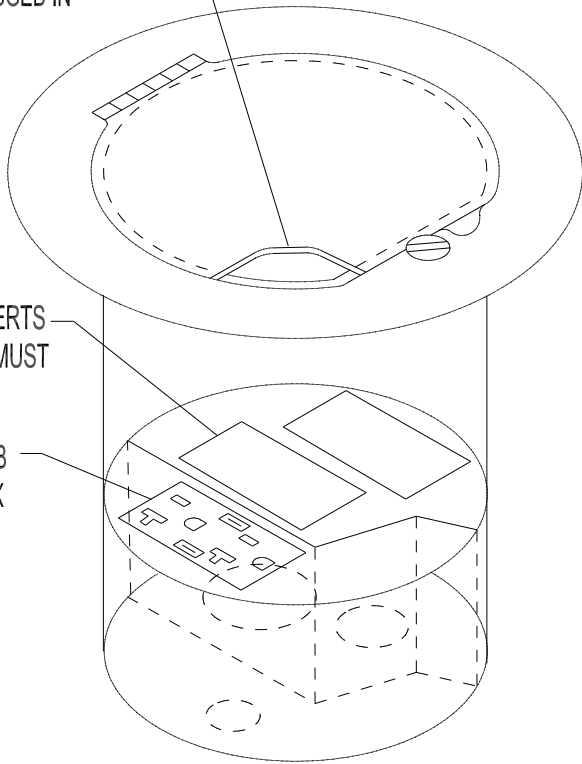


TITLE

SERIES 470 POKE THROUGH FLOOR BOX

DIMENSIONS IN INCHES UNLESS OTHERWISE SPECIFIED	SCALE	NTS	PART NO. 470-6-8-3-USB-XX
DR. BY	DATE	01 / 17	
APP. BY	DATE		

TRAP DOOR FLIPS DOWN AND
IN ALLOWING CABLES TO
EXIT WHEN PLUGGED IN

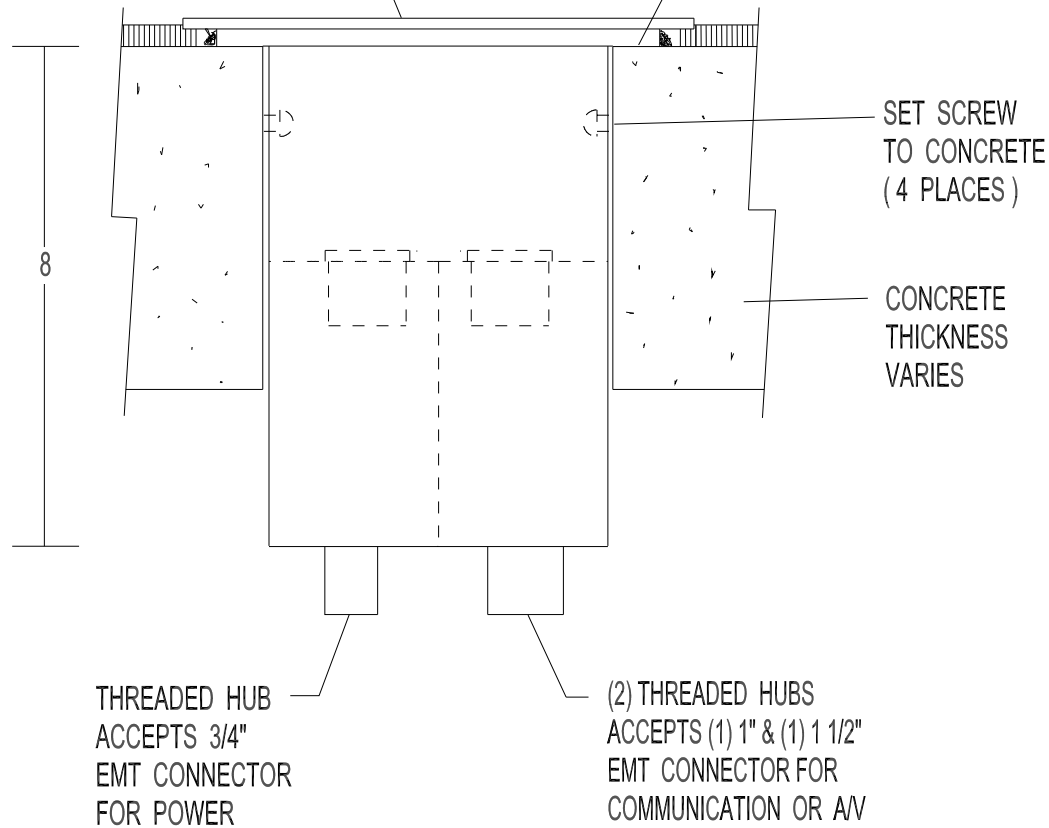


(2) OPENING FOR
DECORATOR INSERTS
(PLASTER TABS MUST
BE REMOVED)

(1) 5-20R T-SLOT USB
CHARGING DUPLEX
RECEPTACLE

GASKETED STAINLESS LID
ASSEMBLY - SCRUB WATER
APPROVED

APPLY BEAD OF FIRESTOP
SEALANT BETWEEN SLEEVE
FLANGE AND CONCRETE



SET SCREW
TO CONCRETE
(4 PLACES)

CONCRETE
THICKNESS
VARIES

THREADED HUB
ACCEPTS 3/4"
EMT CONNECTOR
FOR POWER

(2) THREADED HUBS
ACCEPTS (1) 1" & (1) 1 1/2"
EMT CONNECTOR FOR
COMMUNICATION OR AV

SIDE SECTION



WELLMARK ELECTRIC
PH: 519-650-4495
wellmarkelectric.com



CAN/ULC S115 - 2 hr F
ASTM E814 - 2 hr F

MATERIALS: LID ASSEMBLY: 1/8" STAINLESS STEEL BODY: 12 GA & 16 GA NICKEL COATED STEEL

NOTES: - INSTALLATION REQUIRES 6" CORE DRILL (MAX 6 1/8") - INDOOR & IN DRY LOCATIONS ONLY

TITLE



SERIES 470 POKE THROUGH FLOOR BOX

DIMENSIONS IN INCHES
UNLESS OTHERWISE SPECIFIED

SCALE NTS

PART NO.

DR. BY

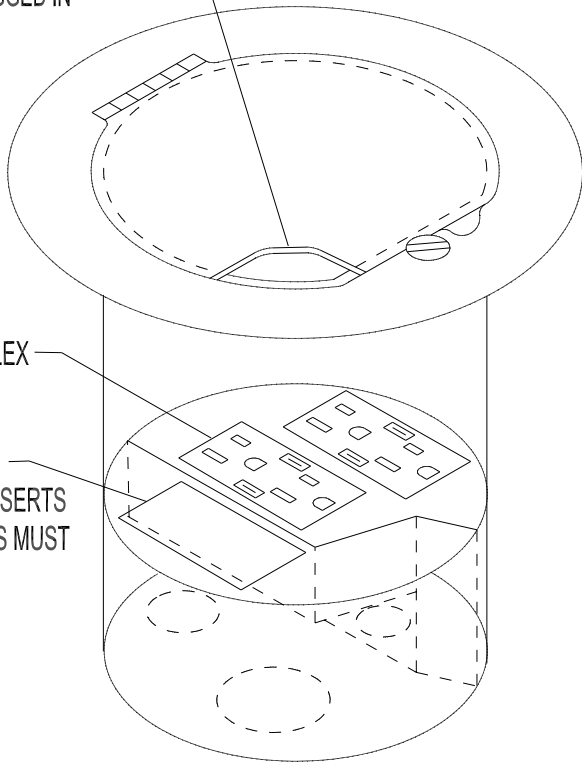
DATE 01/17

470-6-8-5-USB-XX

APP. BY

DATE

TRAP DOOR FLIPS DOWN AND
IN ALLOWING CABLES TO
EXIT WHEN PLUGGED IN

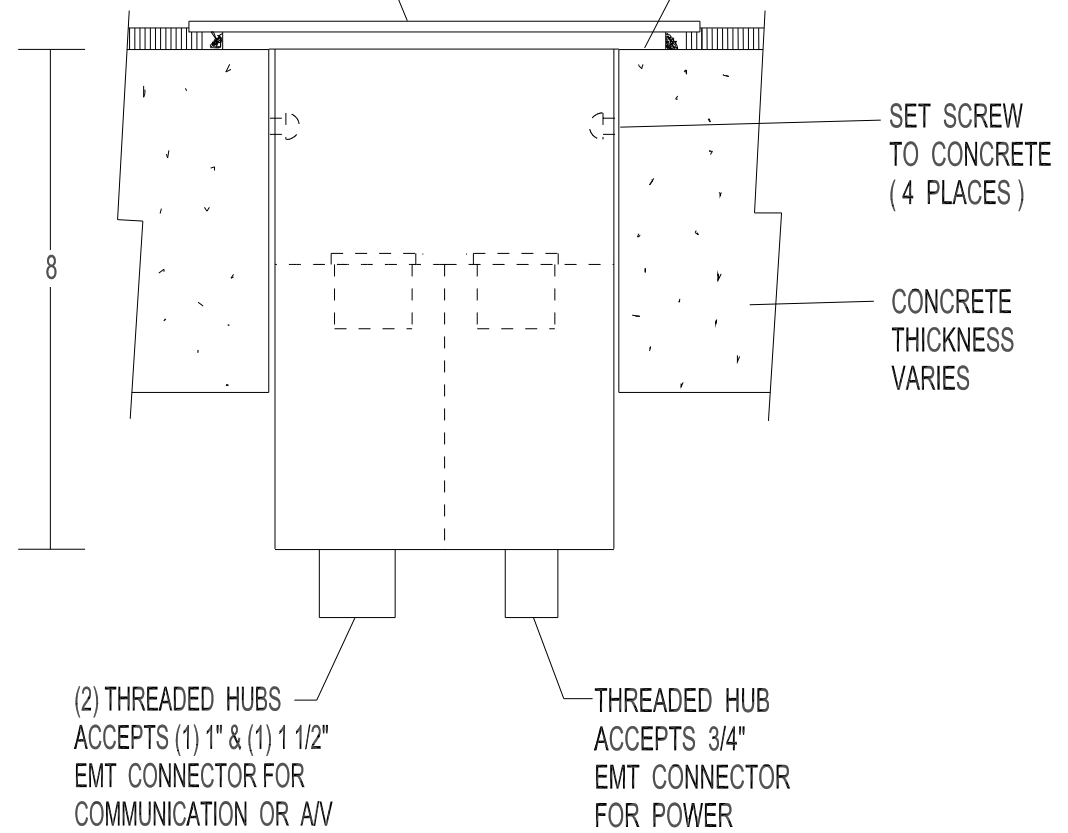


(2) 15A 125V DUPLEX
RECEPTACLE

(1) OPENING FOR
DECORATOR INSERTS
(PLASTER TABS MUST
BE REMOVED)

GASKETED STAINLESS LID
ASSEMBLY - SCRUB WATER
APPROVED

APPLY BEAD OF FIRESTOP
SEALANT BETWEEN SLEEVE
FLANGE AND CONCRETE



SET SCREW
TO CONCRETE
(4 PLACES)

CONCRETE
THICKNESS
VARIES

(2) THREADED HUBS
ACCEPTS (1) 1" & (1) 1 1/2"
EMT CONNECTOR FOR
COMMUNICATION OR AV

THREADED HUB
ACCEPTS 3/4"
EMT CONNECTOR
FOR POWER

SIDE SECTION



WELLMARK ELECTRIC
PH: 519-650-4495
wellmarkelectric.com



CAN/ULC S115 - 2 hr F
ASTM E814 - 2 hr F

MATERIALS: LID ASSEMBLY: 1/8" STAINLESS STEEL BODY: 12 GA & 16 GA NICKEL COATED STEEL

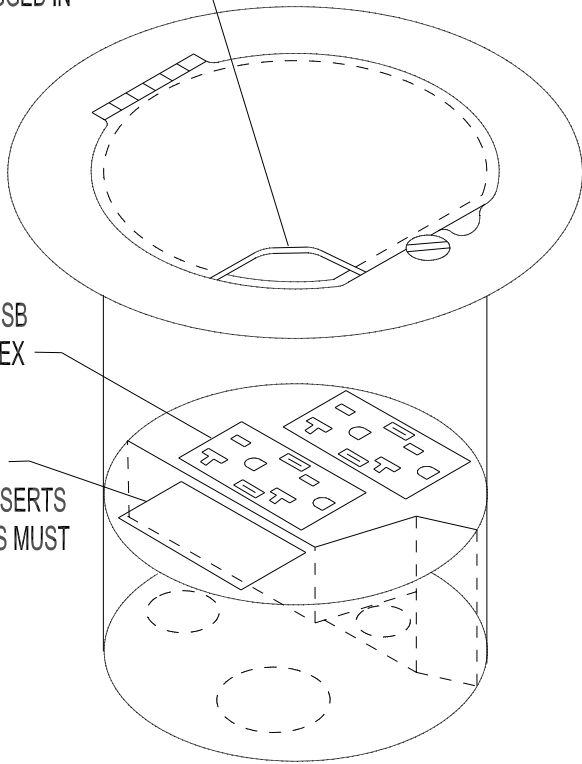
NOTES: - INSTALLATION REQUIRES 6" CORE DRILL (MAX 6 1/8") - INDOOR & IN DRY LOCATIONS ONLY



TITLE
SERIES 470 POKE THROUGH FLOOR BOX

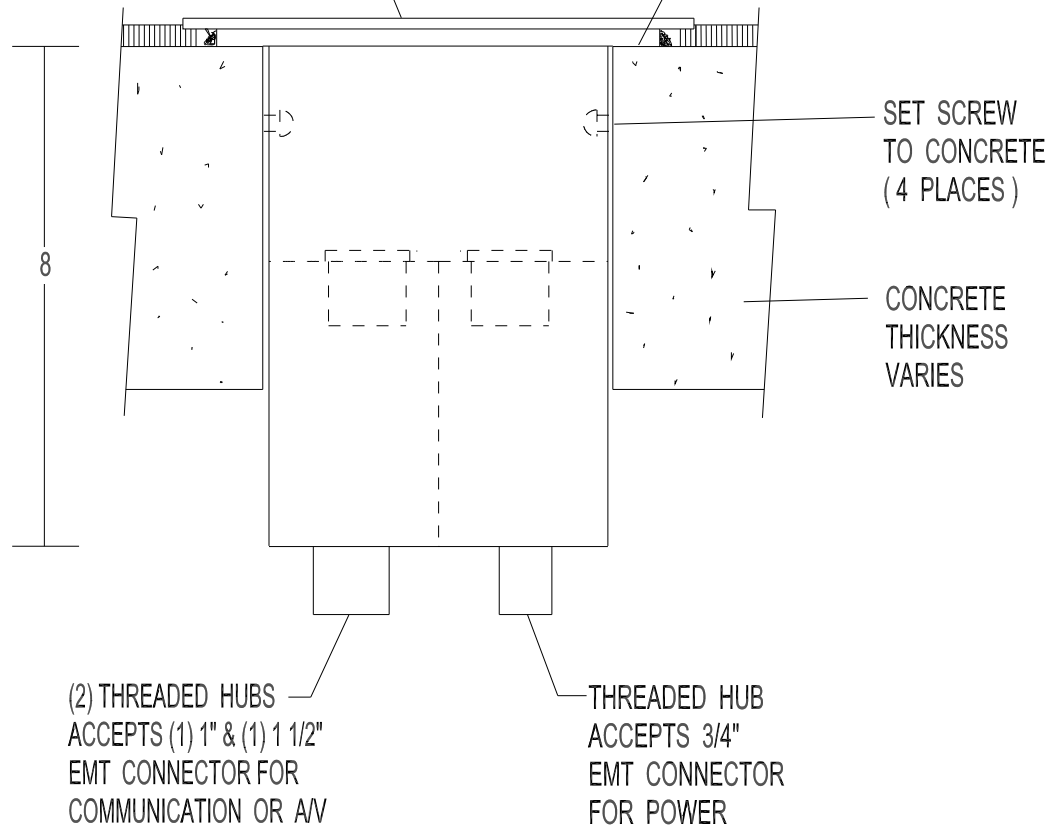
DIMENSIONS IN INCHES UNLESS OTHERWISE SPECIFIED	SCALE	NTS	PART NO. 470-6-8-33-(2)USB-X
DR. BY	DATE	01/17	
APP. BY	DATE		

TRAP DOOR FLIPS DOWN AND
IN ALLOWING CABLES TO
EXIT WHEN PLUGGED IN



GASKETED STAINLESS LID
ASSEMBLY - SCRUB WATER
APPROVED

APPLY BEAD OF FIRESTOP
SEALANT BETWEEN SLEEVE
FLANGE AND CONCRETE



SIDE SECTION



WELLMARK ELECTRIC
PH: 519-650-4495
wellmarkelectric.com



CAN/ULC S115 - 2 hr F
ASTM E814 - 2 hr F

MATERIALS: LID ASSEMBLY: 1/8" STAINLESS STEEL BODY: 12 GA & 16 GA NICKEL COATED STEEL

NOTES: - INSTALLATION REQUIRES 6" CORE DRILL (MAX 6 1/8") - INDOOR & IN DRY LOCATIONS ONLY

TITLE



SERIES 470 POKE THROUGH FLOOR BOX

DIMENSIONS IN INCHES
UNLESS OTHERWISE SPECIFIED

SCALE NTS

PART NO.

DR. BY

DATE 01/17

470-6-8-55-(2)USB-X

APP. BY

DATE