

SIDE SECTION



WELLMARK ELECTRIC  
 PH: 519-650-4495  
 wellmarkelectric.com



CAN/ULC S115 - 2 hr F  
 ASTM E814 - 2 hr F

MATERIALS: LID ASSEMBLY: 1/8" STAINLESS STEEL BODY: 12 GA & 16 GA NICKEL COATED STEEL

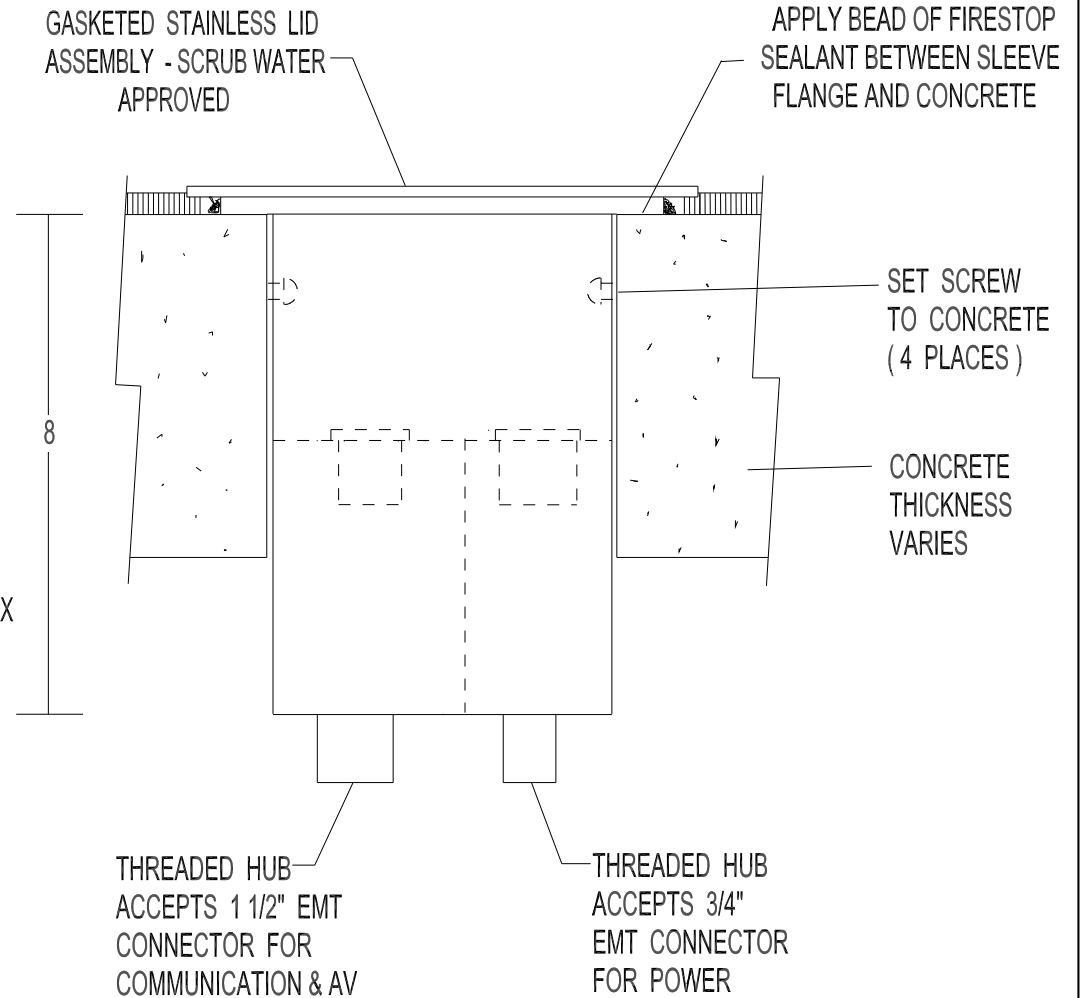
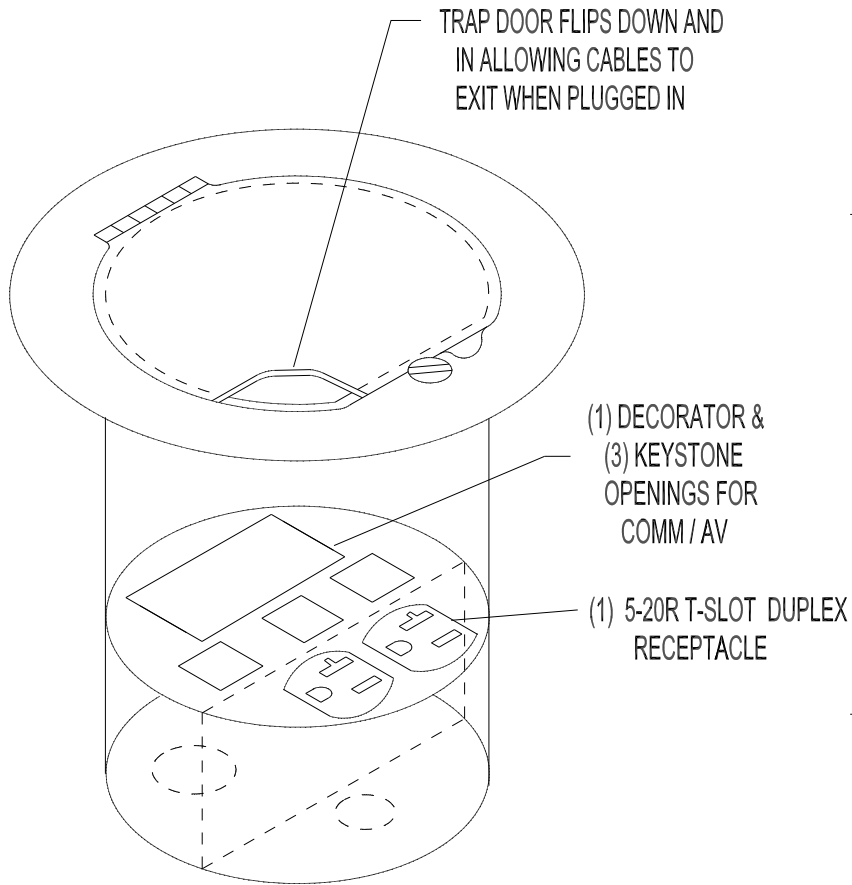
NOTES: - INSTALLATION REQUIRES 5" CORE DRILL (MAX 5 1/8") - INDOOR & IN DRY LOCATIONS ONLY



TITLE

SERIES 470 POKE THROUGH FLOOR BOX

DIMENSIONS IN INCHES UNLESS OTHERWISE SPECIFIED	SCALE	NTS	PART NO.  470-5-8-3-X-KEYSTONE3
DR. BY	DATE	07 / 20	
APP. BY	DATE		



SIDE SECTION


**WELLMARK ELECTRIC**  
 PH: 519-650-4495  
 wellmarkelectric.com  
  
 Intertek  
 CAN/ULC S115 - 2 hr F  
 ASTM E814 - 2 hr F

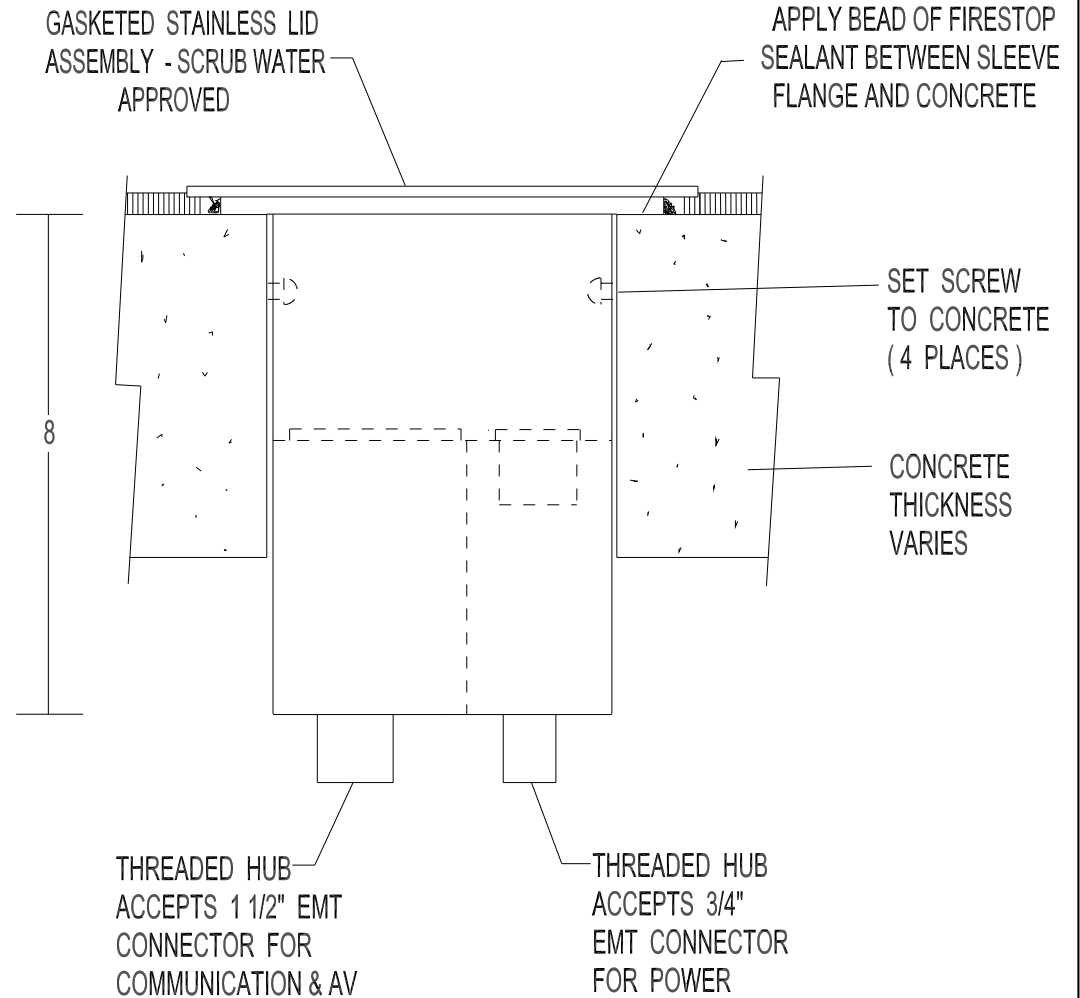
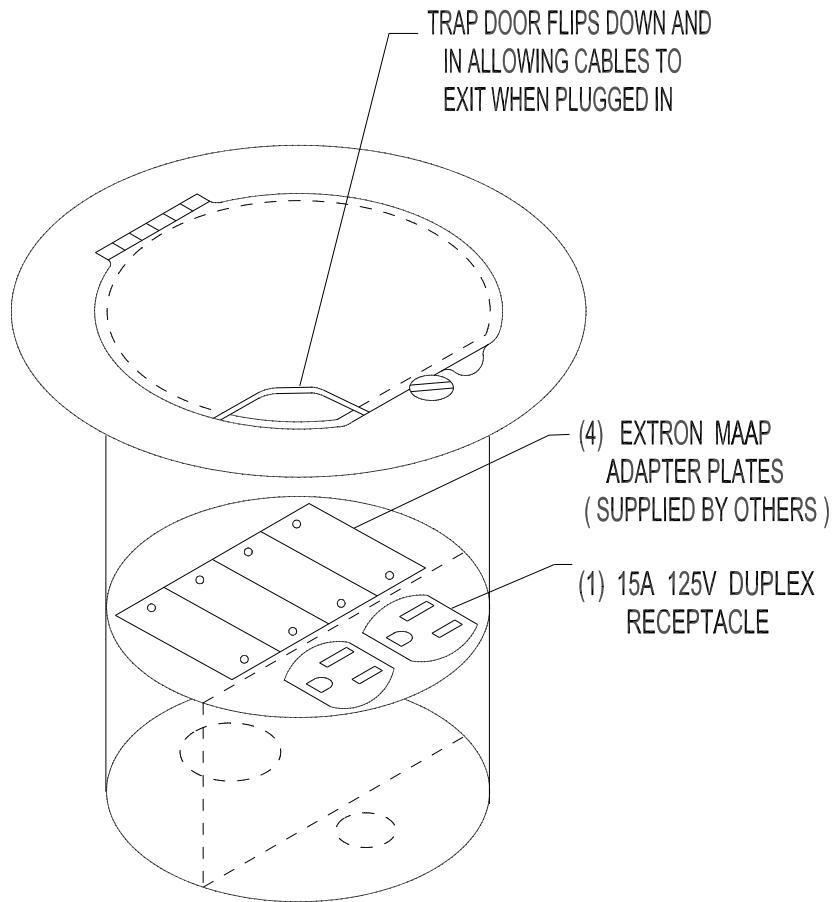
MATERIALS: LID ASSEMBLY: 1/8" STAINLESS STEEL BODY: 12 GA & 16 GA NICKEL COATED STEEL

NOTES: - INSTALLATION REQUIRES 5" CORE DRILL (MAX 5 1/8") - INDOOR & IN DRY LOCATIONS ONLY



TITLE  
 SERIES 470 POKE THROUGH FLOOR BOX

DIMENSIONS IN INCHES UNLESS OTHERWISE SPECIFIED	SCALE	NTS	PART NO.
DR. BY	DATE	07 / 20	470-5-8-5-X-KEYSTONE3
APP. BY	DATE		



SIDE SECTION



WELLMARK ELECTRIC  
PH: 519-650-4495  
wellmarkelectric.com



CAN/ULC S115 - 2 hr F  
ASTM E814 - 2 hr F

MATERIALS: LID ASSEMBLY: 1/8" STAINLESS STEEL BODY: 12 GA & 16 GA NICKEL COATED STEEL

NOTES:- INSTALLATION REQUIRES 5" CORE DRILL (MAX 5 1/8") - INDOOR & IN DRY LOCATIONS ONLY

TITLE



SERIES 470 POKE THROUGH FLOOR BOX

DIMENSIONS IN INCHES  
UNLESS OTHERWISE SPECIFIED

SCALE NTS

PART NO.

DR. BY

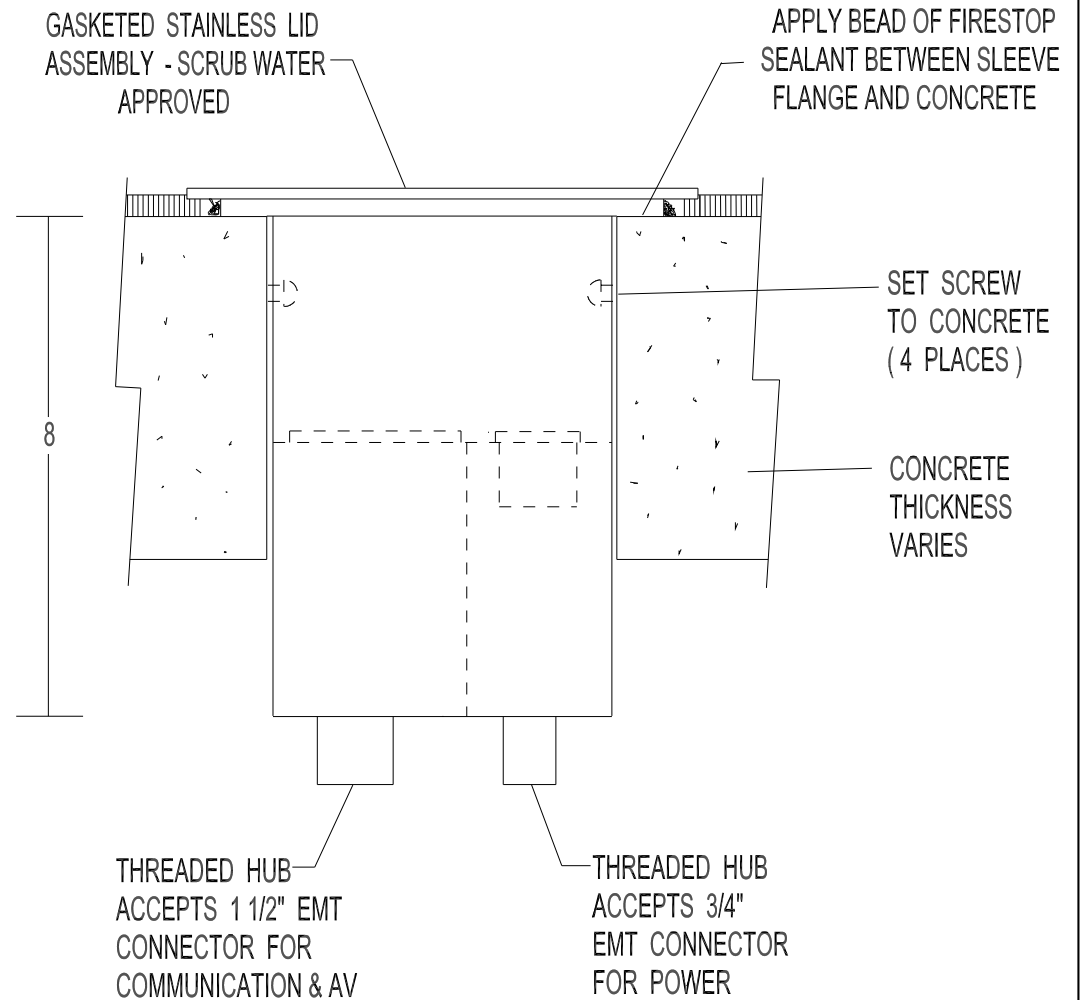
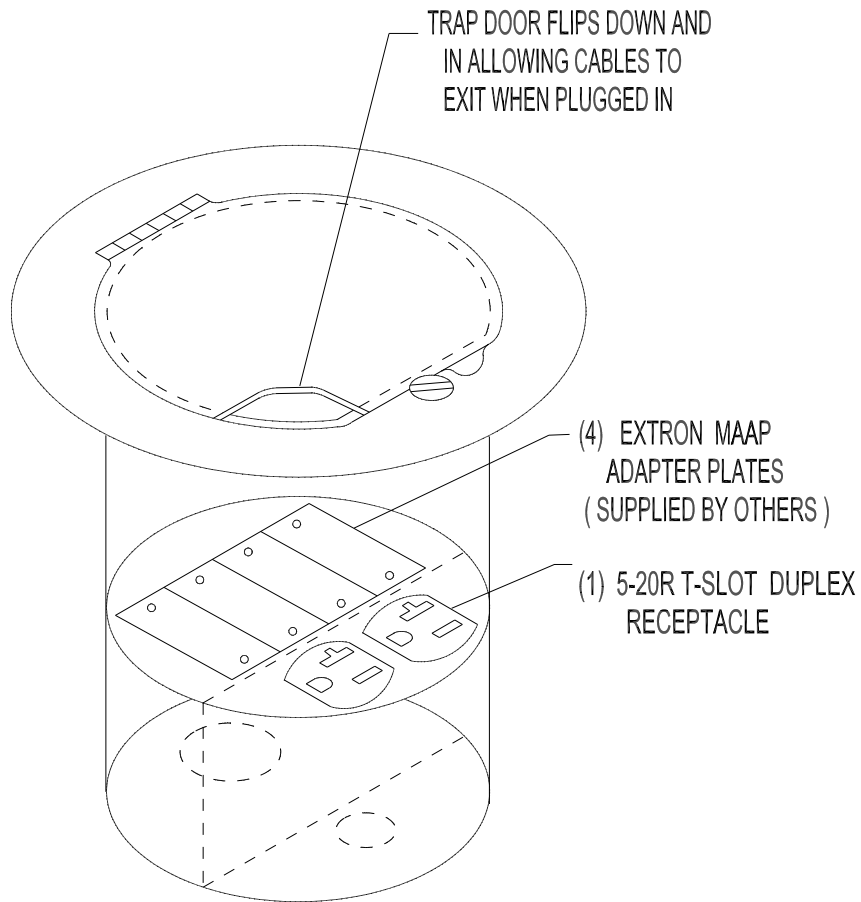
DATE

01/17

APP. BY

DATE

470-5-8-3-(4)MAAP



SIDE SECTION



WELLMARK ELECTRIC  
PH: 519-650-4495  
wellmarkelectric.com



CAN/ULC S115 - 2 hr F  
ASTM E814 - 2 hr F

MATERIALS: LID ASSEMBLY: 1/8" STAINLESS STEEL BODY: 12 GA & 16 GA NICKEL COATED STEEL

NOTES: - INSTALLATION REQUIRES 5" CORE DRILL (MAX 5 1/8") - INDOOR & IN DRY LOCATIONS ONLY

TITLE



SERIES 470 POKE THROUGH FLOOR BOX

DIMENSIONS IN INCHES  
UNLESS OTHERWISE SPECIFIED

SCALE NTS

PART NO.

DR. BY

DATE

01/17

APP. BY

DATE

470-5-8-5-(4)MAAP