

SIDE SECTION



WELLMARK ELECTRIC
PH: 519-650-4495
wellmarkelectric.com



CAN/ULC S115 - 2 hr F
ASTM E814 - 2 hr F

MATERIALS: LID ASSEMBLY: 1/8" STAINLESS STEEL BODY: 12 GA & 16 GA NICKEL COATED STEEL

NOTES:- INSTALLATION REQUIRES 5" CORE DRILL (MAX 5 1/8") - INDOOR & IN DRY LOCATIONS ONLY

| | | |
|----------------------|------------|----------------------------|
| COMMUNICATION OPTION | - KEYSTONE | (4) KEYSTONE JACK OPENINGS |
| | - BELDEN | (4) MDVO JACK OPENINGS |
| | - PANDUIT | (4) NETKEY JACK OPENINGS |
| | - SYSTIMAX | (4) M-SERIES JACK OPENINGS |



TITLE

SERIES 470 POKE THROUGH FLOOR BOX

DIMENSIONS IN INCHES
UNLESS OTHERWISE SPECIFIED

SCALE NTS

DATE 01 / 17

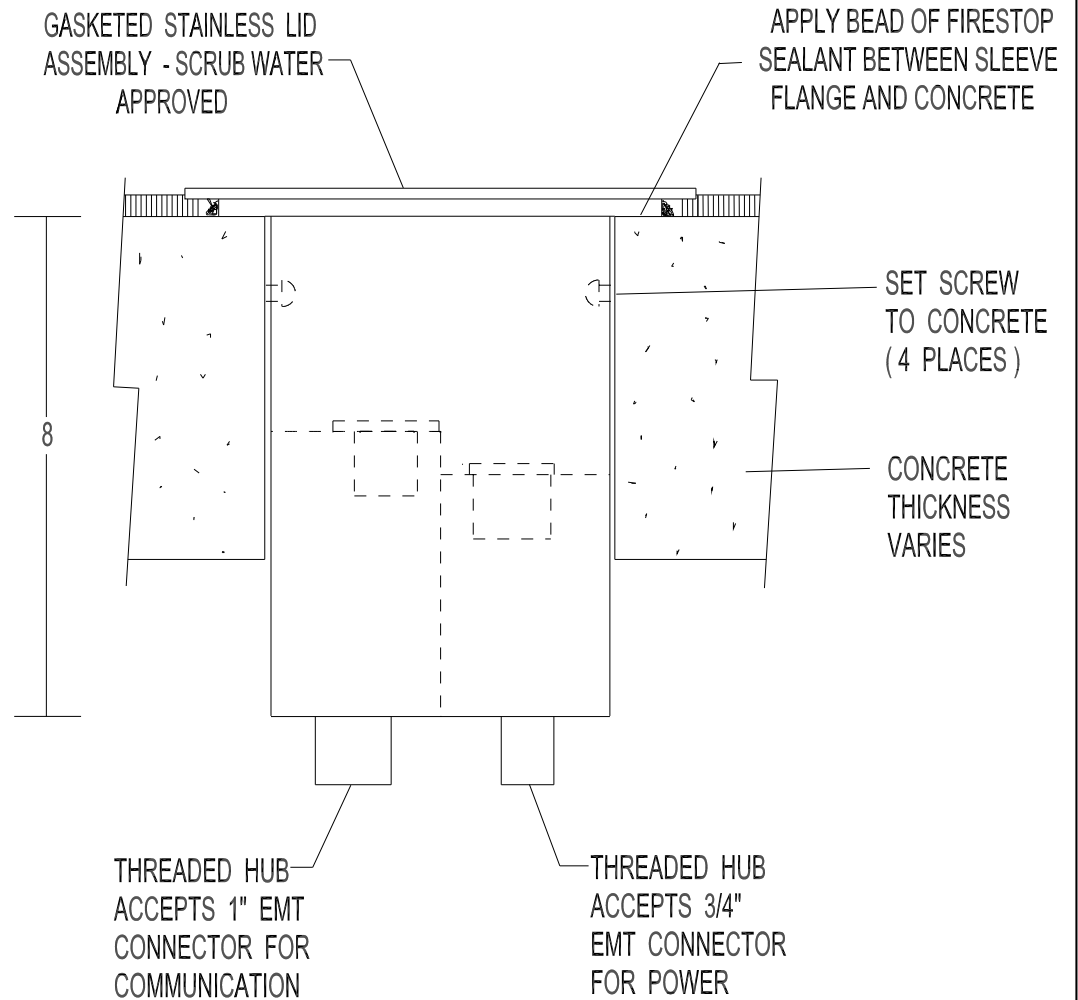
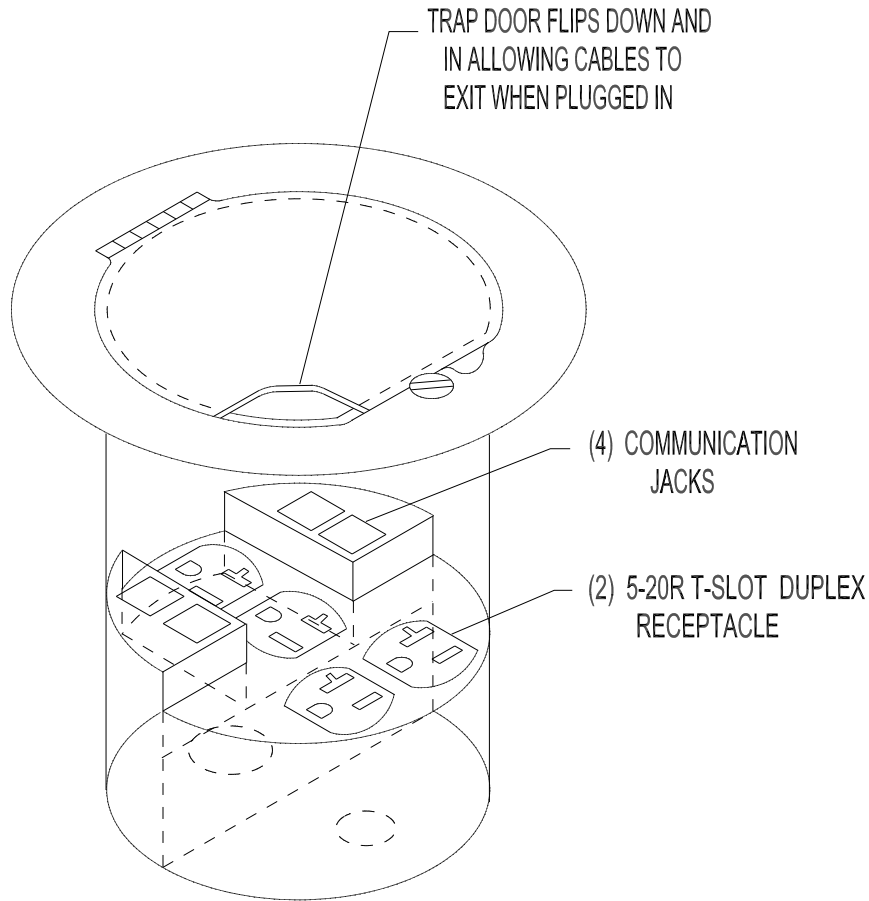
DATE

PART NO.

470-5-8-33-KEYSTONE
470-5-8-33-BELDEN
470-5-8-33-PANDUIT
470-5-8-33-SYSTIMAX

DR. BY

APP. BY



SIDE SECTION



WELLMARK ELECTRIC
PH: 519-650-4495
wellmarkelectric.com



CAN/ULC S115 - 2 hr F
ASTM E814 - 2 hr F

MATERIALS: LID ASSEMBLY: 1/8" STAINLESS STEEL BODY: 12 GA & 16 GA NICKEL COATED STEEL

NOTES:- INSTALLATION REQUIRES 5" CORE DRILL (MAX 5 1/8") - INDOOR & IN DRY LOCATIONS ONLY



TITLE

SERIES 470 POKE THROUGH FLOOR BOX

| | |
|----------------------|---------------------------------------|
| COMMUNICATION OPTION | - KEYSTONE (4) KEYSTONE JACK OPENINGS |
| | - BELDEN (4) MDVO JACK OPENINGS |
| | - PANDUIT (4) NETKEY JACK OPENINGS |
| | - SYSTIMAX (4) M-SERIES JACK OPENINGS |

| | | |
|---|-------|---------|
| DIMENSIONS IN INCHES UNLESS OTHERWISE SPECIFIED | SCALE | NTS |
| DR. BY | DATE | 01 / 17 |
| APP. BY | DATE | |

| | |
|----------|---------------------|
| PART NO. | 470-5-8-55-KEYSTONE |
| | 470-5-8-55-BELDEN |
| | 470-5-8-55-PANDUIT |
| | 470-5-8-55-SYSTIMAX |