

SIDE SECTION



WELLMARK ELECTRIC
PH: 519-650-4495
wellmarkelectric.com



CAN/ULC S115 - 2 hr F
ASTM E814 - 2 hr F

MATERIALS: LID ASSEMBLY: 1/8" STAINLESS STEEL BODY: 12 GA & 16 GA NICKEL COATED STEEL

NOTES: - INSTALLATION REQUIRES 5" CORE DRILL (MAX 5 1/8") - INDOOR & IN DRY LOCATIONS ONLY



TITLE

SERIES 470 POKE THROUGH FLOOR BOX

DIMENSIONS IN INCHES
UNLESS OTHERWISE SPECIFIED

SCALE NTS

PART NO.

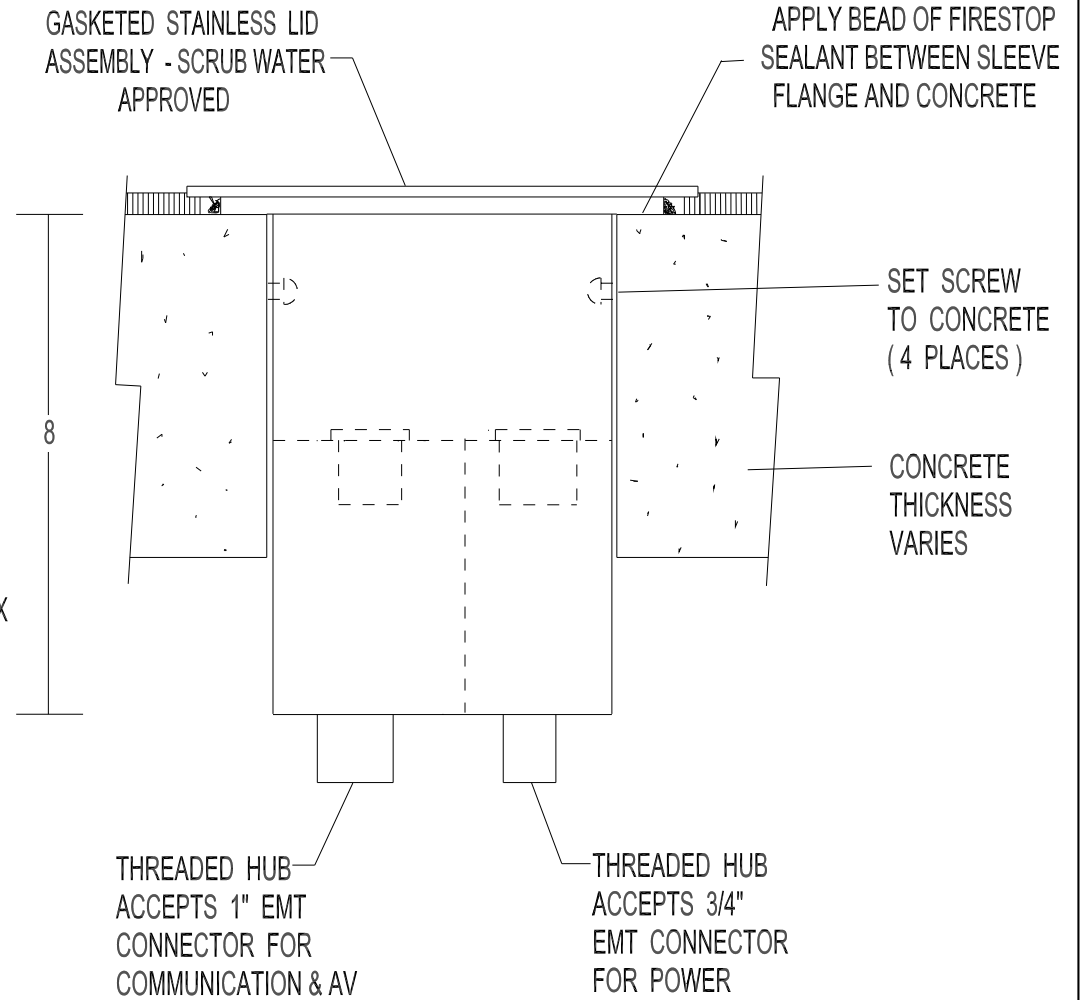
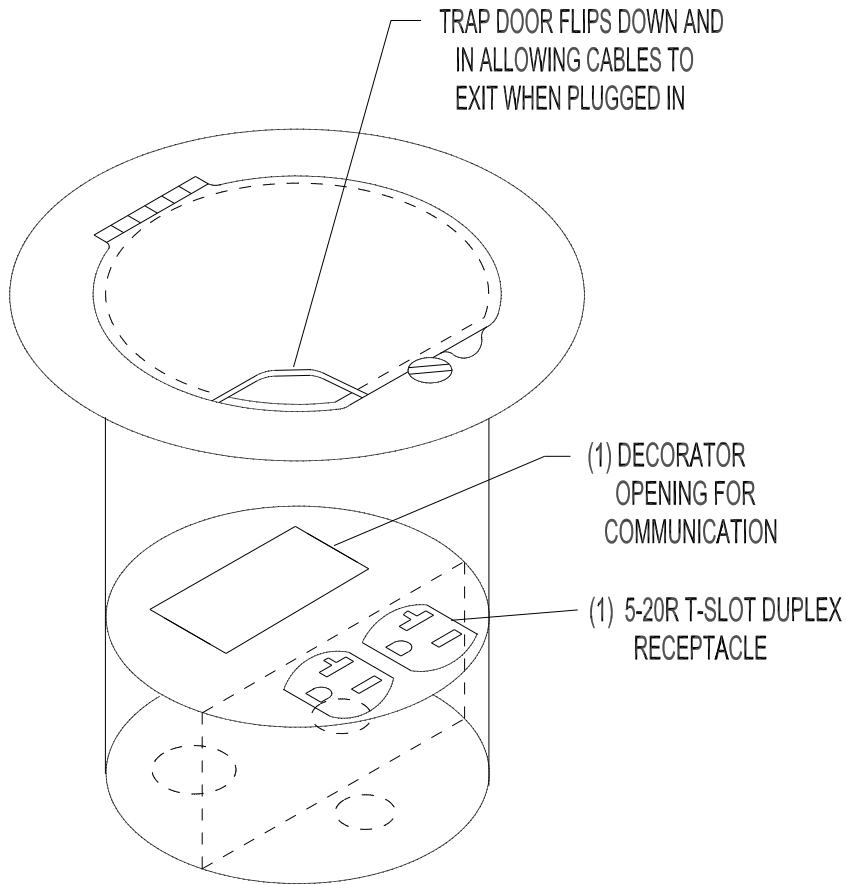
DR. BY

DATE 01/17

470-5-8-3-X

APP. BY

DATE



SIDE SECTION



WELLMARK ELECTRIC
PH: 519-650-4495
wellmarkelectric.com



CAN/ULC S115 - 2 hr F
ASTM E814 - 2 hr F

MATERIALS: LID ASSEMBLY: 1/8" STAINLESS STEEL BODY: 12 GA & 16 GA NICKEL COATED STEEL

NOTES: - INSTALLATION REQUIRES 5" CORE DRILL (MAX 5 1/8") - INDOOR & IN DRY LOCATIONS ONLY



TITLE

SERIES 470 POKE THROUGH FLOOR BOX

DIMENSIONS IN INCHES
UNLESS OTHERWISE SPECIFIED

SCALE NTS

PART NO.

DR. BY

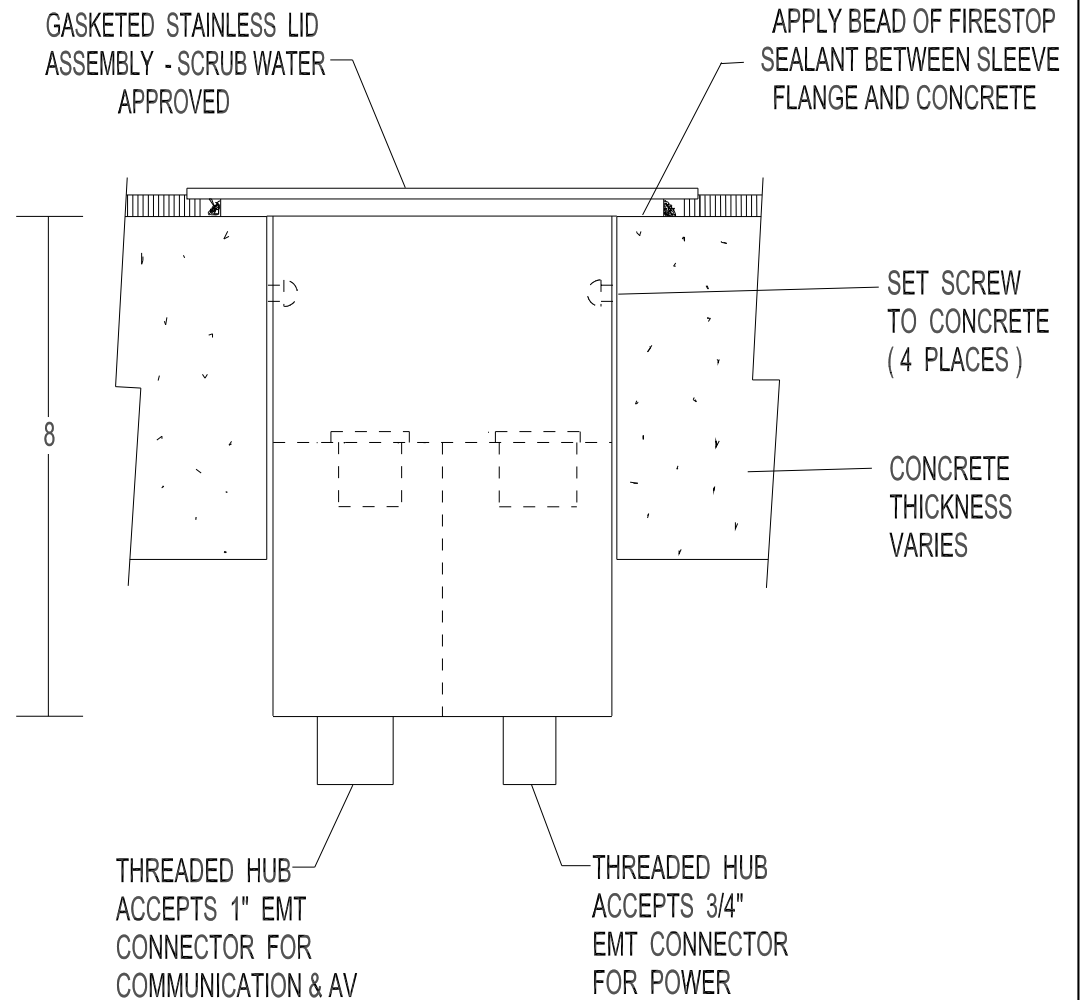
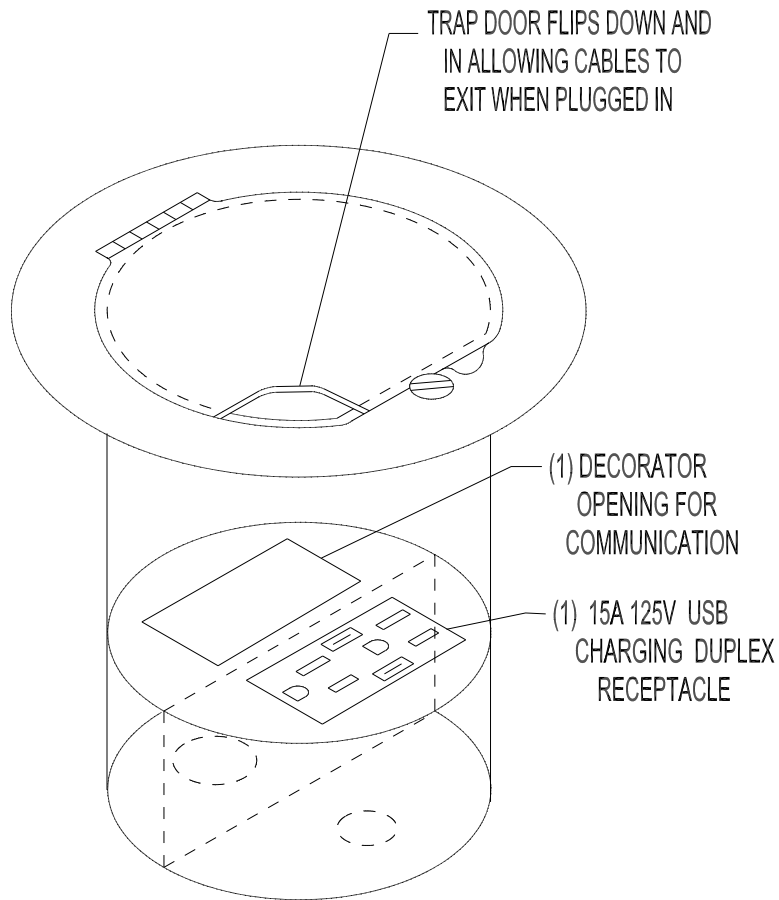
DATE

01/17

APP. BY

DATE

470-5-8-5-X



SIDE SECTION



WELLMARK ELECTRIC
PH: 519-650-4495
wellmarkelectric.com



CAN/ULC S115 - 2 hr F
ASTM E814 - 2 hr F

MATERIALS: LID ASSEMBLY: 1/8" STAINLESS STEEL BODY: 12 GA & 16 GA NICKEL COATED STEEL

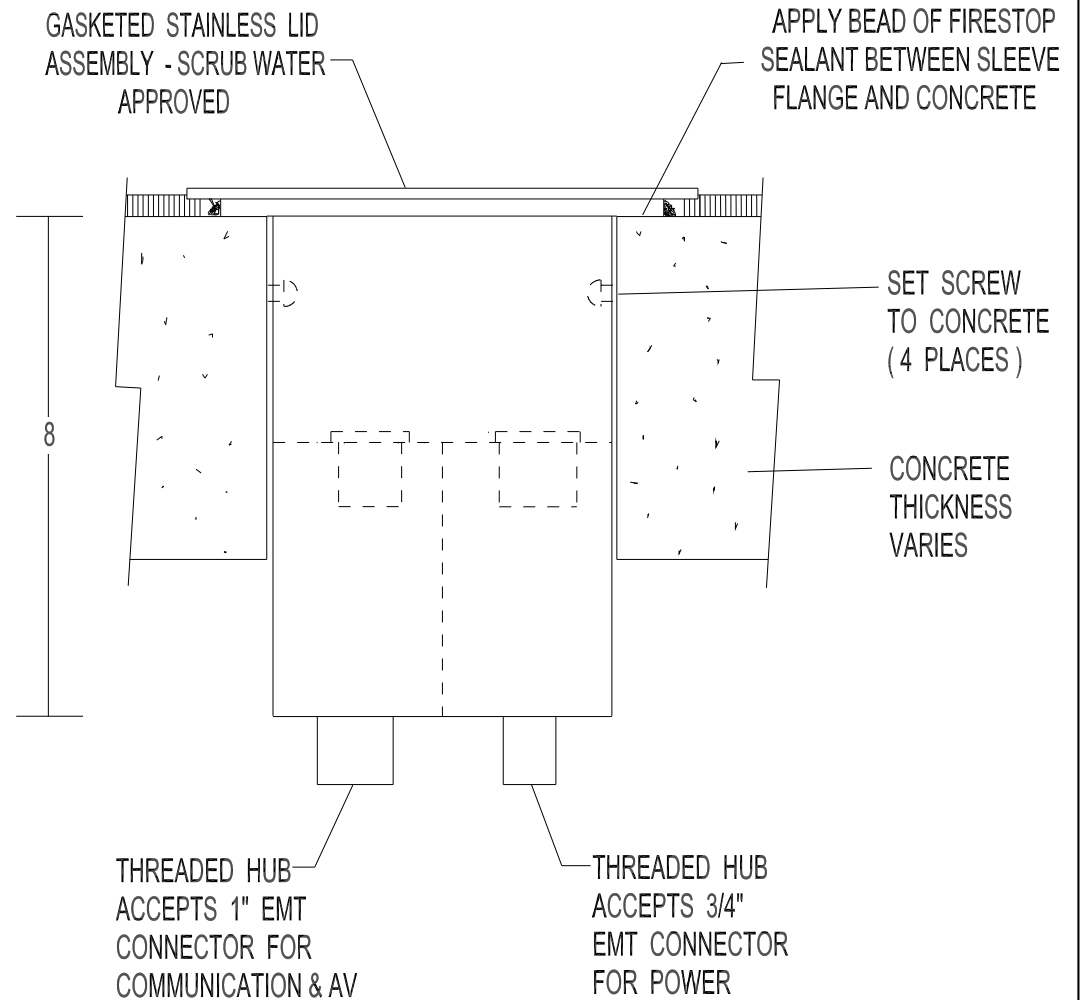
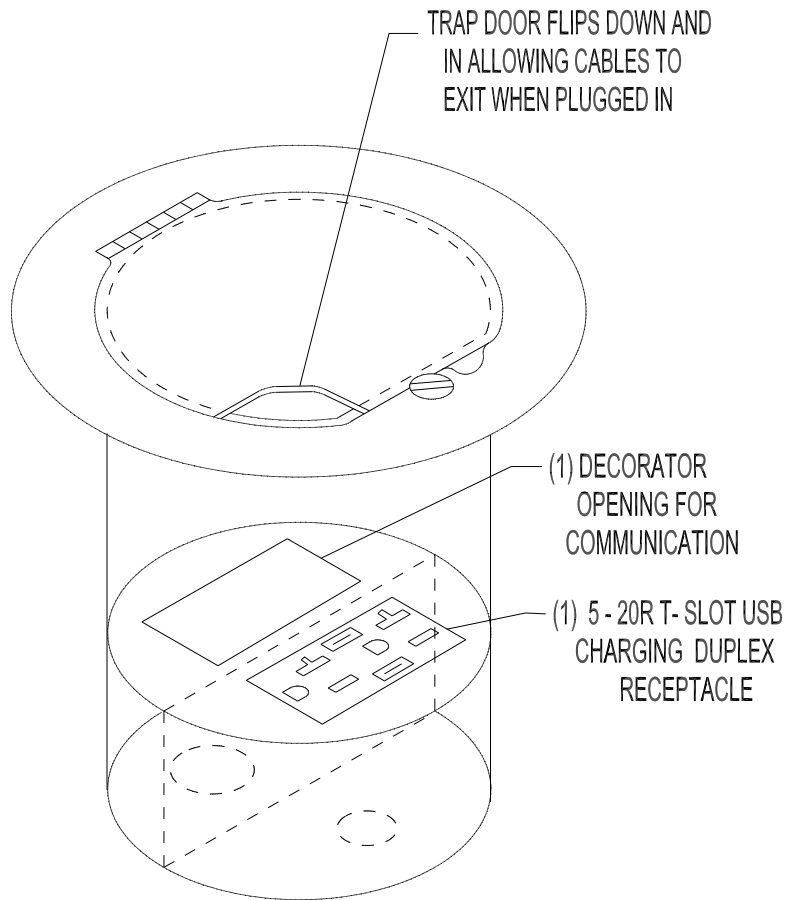
NOTES: - INSTALLATION REQUIRES 5" CORE DRILL (MAX 5 1/8") - INDOOR & IN DRY LOCATIONS ONLY



TITLE

SERIES 470 POKE THROUGH FLOOR BOX

DIMENSIONS IN INCHES UNLESS OTHERWISE SPECIFIED	SCALE	NTS	PART NO. 470-5-8-3-USB-X
DR. BY	DATE	01/17	
APP. BY	DATE		



SIDE SECTION



WELLMARK ELECTRIC
PH: 519-650-4495
wellmarkelectric.com



CAN/ULC S115 - 2 hr F
ASTM E814 - 2 hr F

MATERIALS: LID ASSEMBLY: 1/8" STAINLESS STEEL BODY: 12 GA & 16 GA NICKEL COATED STEEL

NOTES: - INSTALLATION REQUIRES 5" CORE DRILL (MAX 5 1/8") - INDOOR & IN DRY LOCATIONS ONLY



TITLE

SERIES 470 POKE THROUGH FLOOR BOX

DIMENSIONS IN INCHES UNLESS OTHERWISE SPECIFIED	SCALE	NTS	PART NO. 470-5-8-5-USB-X
DR. BY	DATE	01/17	
APP. BY	DATE		