

SIDE SECTION



WELLMARK ELECTRIC  
PH: 519-650-4495  
wellmarkelectric.com



CAN/ULC S115 - 2 hr F  
ASTM E814 - 2 hr F

MATERIALS: LID ASSEMBLY: 1/8" STAINLESS STEEL BODY: 12 GA & 16 GA NICKEL COATED STEEL

NOTES: - INSTALLATION REQUIRES 4" CORE DRILL (MAX 4 1/8") - INDOOR & IN DRY LOCATIONS ONLY



TITLE

SERIES 470 POKE THROUGH FLOOR BOX

DIMENSIONS IN INCHES  
UNLESS OTHERWISE SPECIFIED

SCALE NTS

PART NO.

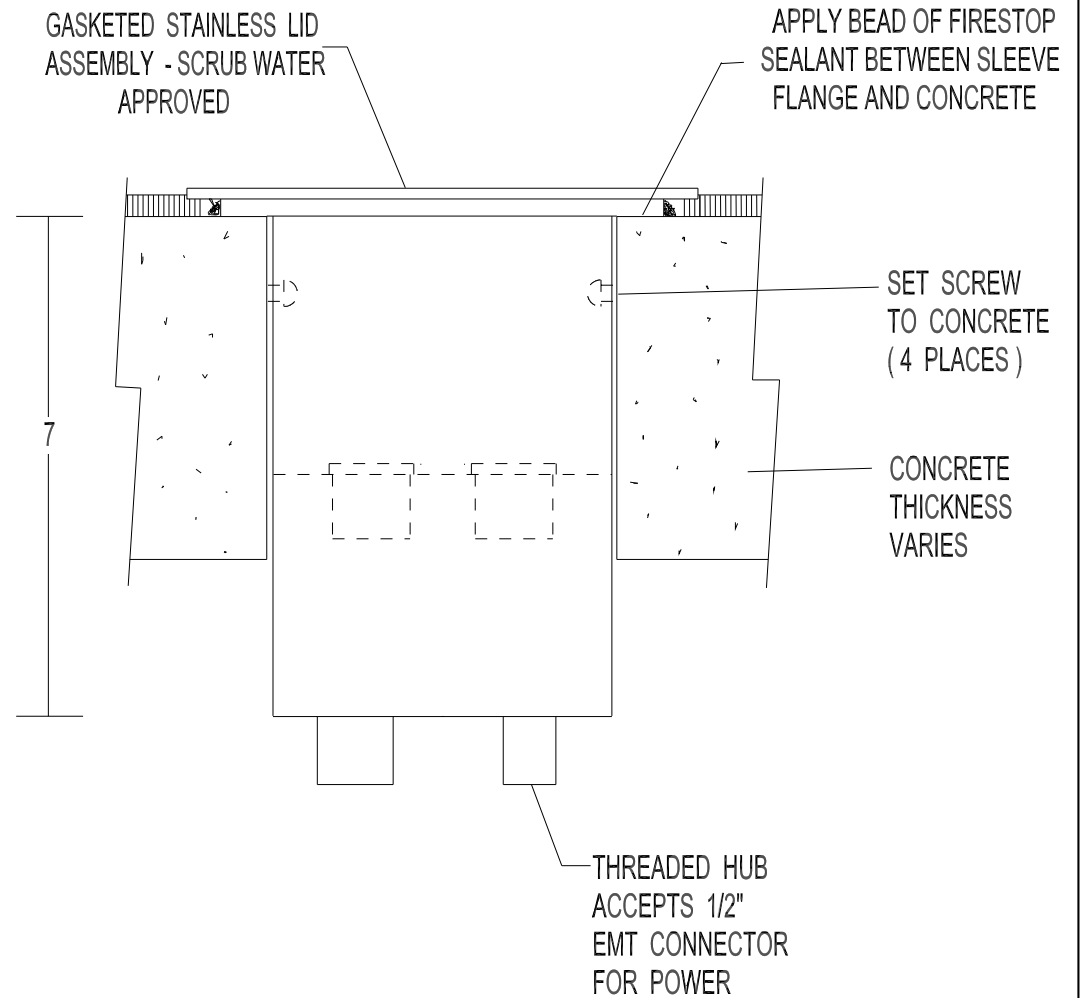
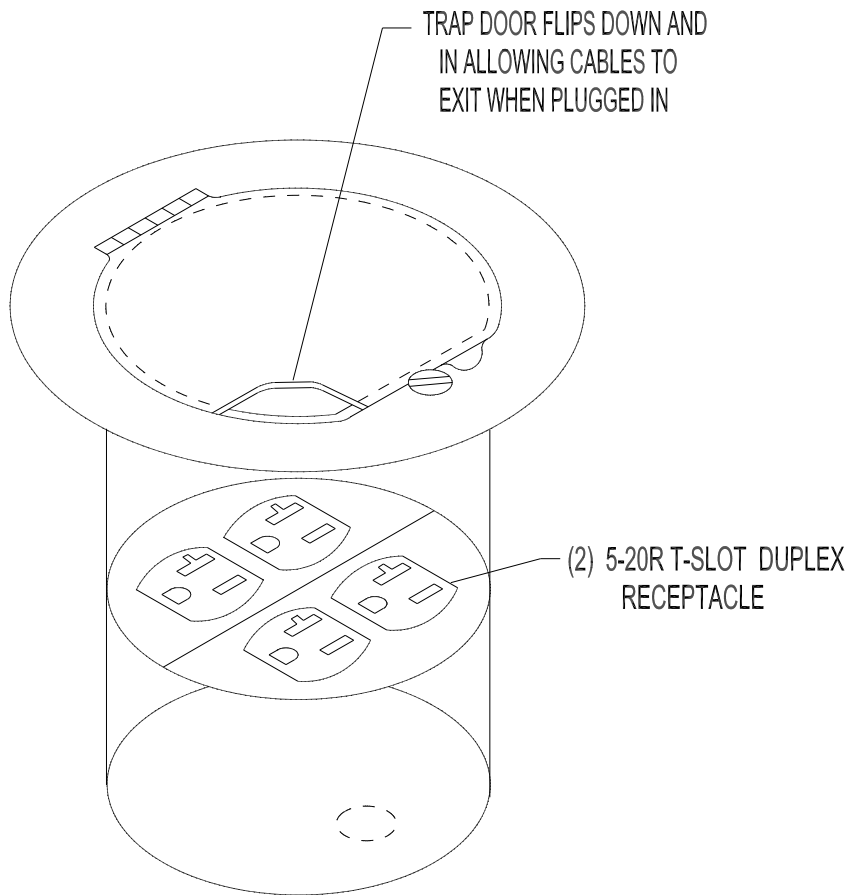
DR. BY

DATE 01/17

470-4-7-33

APP. BY

DATE



SIDE SECTION



WELLMARK ELECTRIC  
 PH: 519-650-4495  
 wellmarkelectric.com



CAN/ULC S115 - 2 hr F  
 ASTM E814 - 2 hr F

MATERIALS: LID ASSEMBLY: 1/8" STAINLESS STEEL BODY: 12 GA & 16 GA NICKEL COATED STEEL

NOTES: - INSTALLATION REQUIRES 4" CORE DRILL (MAX 4 1/8") - INDOOR & IN DRY LOCATIONS ONLY



TITLE

SERIES 470 POKE THROUGH FLOOR BOX

DIMENSIONS IN INCHES  
 UNLESS OTHERWISE SPECIFIED

SCALE NTS

PART NO.

DR. BY

DATE

01/17

470-4-7-55

APP. BY

DATE