

SIDE SECTION



WELLMARK ELECTRIC
 PH: 519-650-4495
 wellmarkelectric.com



CAN/ULC S115 - 2 hr F
 ASTM E814 - 2 hr F

MATERIALS: LID ASSEMBLY: 1/8" STAINLESS STEEL BODY: 12 GA & 16 GA NICKEL COATED STEEL

NOTES:- INSTALLATION REQUIRES 4" CORE DRILL (MAX 4 1/8") - INDOOR & IN DRY LOCATIONS ONLY

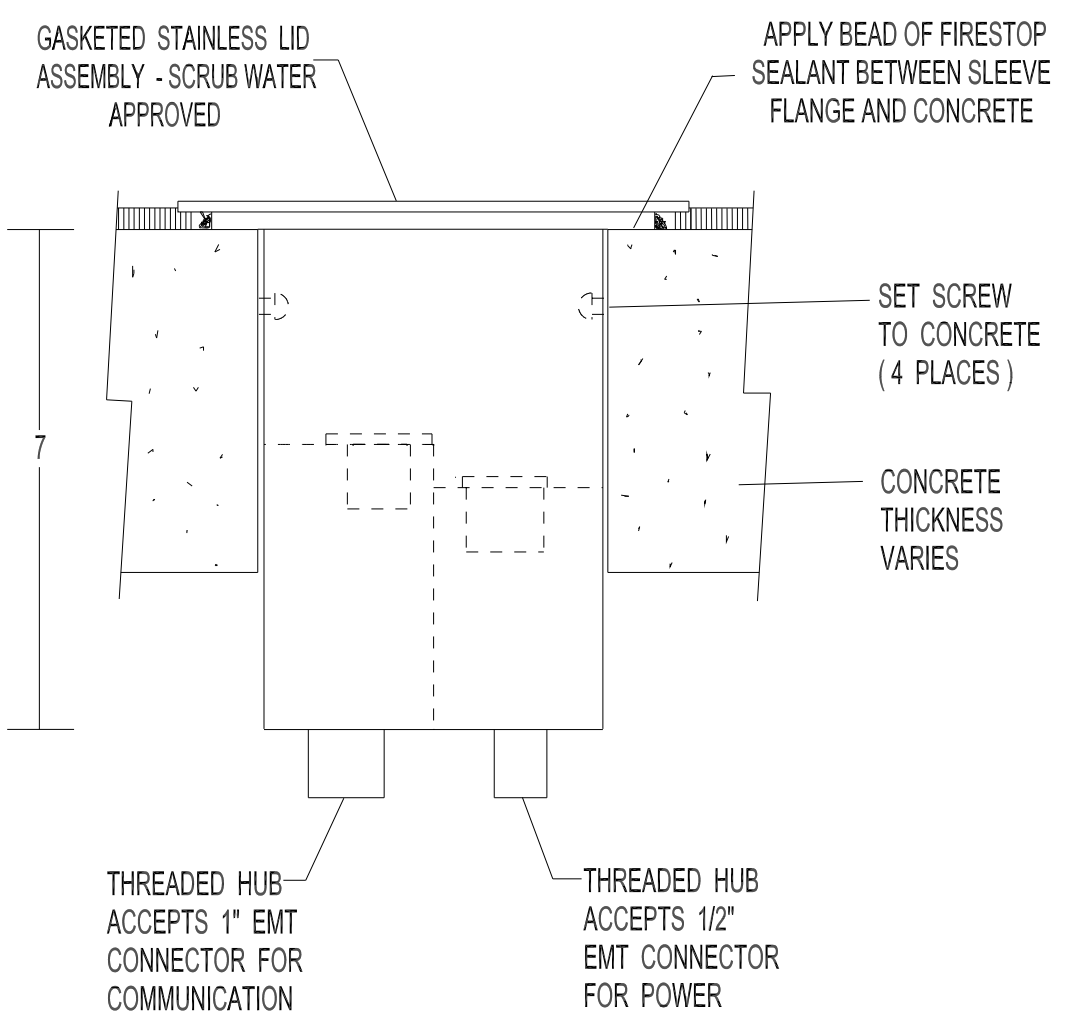
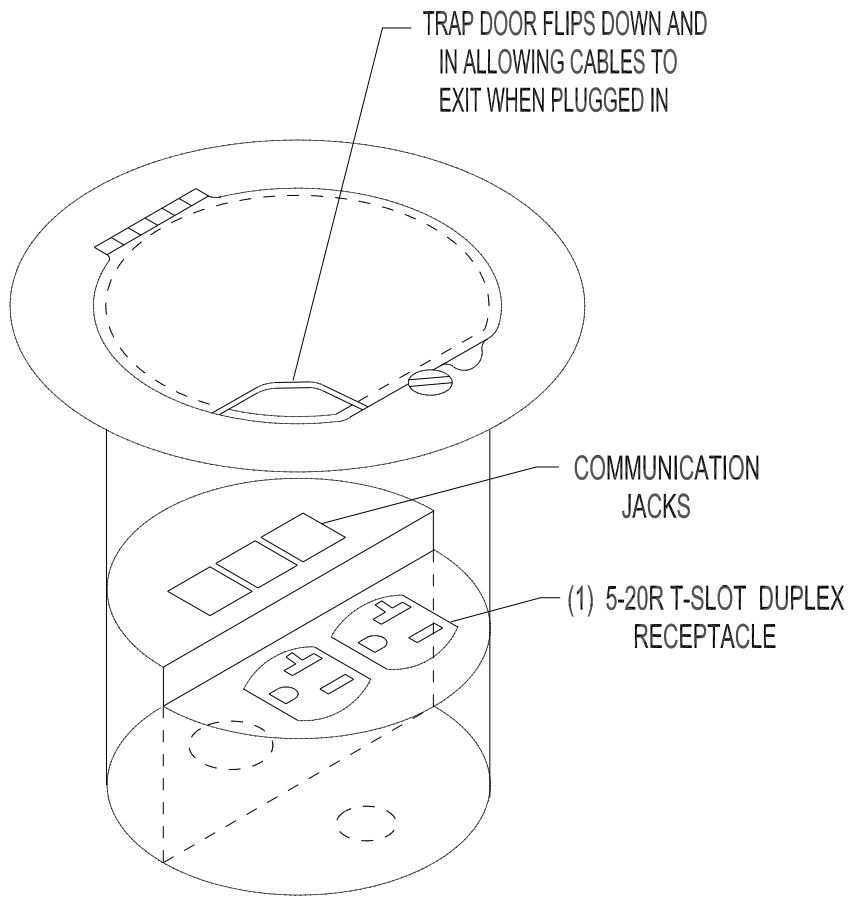


TITLE
 SERIES 470 POKE THROUGH FLOOR BOX

COMMUNICATION OPTION	- KEYSTONE 2 (2) KEYSTONE JACK OPENINGS
	- KEYSTONE 3 (3) KEYSTONE JACK OPENINGS
	- BELDEN (3) MDVO JACK OPENINGS
	- PANDUIT (3) NETKEY JACK OPENINGS

DIMENSIONS IN INCHES UNLESS OTHERWISE SPECIFIED	SCALE	NTS
DR. BY	DATE	01 / 17
APP. BY	DATE	

PART NO.	470-4-7-3-KEYSTONE2
	470-4-7-3-KEYSTONE3
	470-4-7-3-BELDEN
	470-4-7-3-PANDUIT



SIDE SECTION



WELLMARK ELECTRIC
 PH: 519-650-4495
 wellmarkelectric.com



CAN/ULC S115 - 2 hr F
 ASTM E814 - 2 hr F

MATERIALS: LID ASSEMBLY: 1/8" STAINLESS STEEL BODY: 12 GA & 16 GA NICKEL COATED STEEL

NOTES: - INSTALLATION REQUIRES 4" CORE DRILL (MAX 4 1/8") - INDOOR & IN DRY LOCATIONS ONLY



TITLE
 SERIES 470 POKE THROUGH FLOOR BOX

COMMUNICATION OPTION	- KEYSTONE 2 (2) KEYSTONE JACK OPENINGS
	- KEYSTONE 3 (3) KEYSTONE JACK OPENINGS
	- BELDEN (3) MDVO JACK OPENINGS
	- PANDUIT (3) NETKEY JACK OPENINGS

DIMENSIONS IN INCHES UNLESS OTHERWISE SPECIFIED	SCALE	NTS
DR. BY	DATE	01 / 17
APP. BY	DATE	

PART NO.	470-4-7-5-KEYSTONE2
	470-4-7-5-KEYSTONE3
	470-4-7-5-BELDEN
	470-4-7-5-PANDUIT