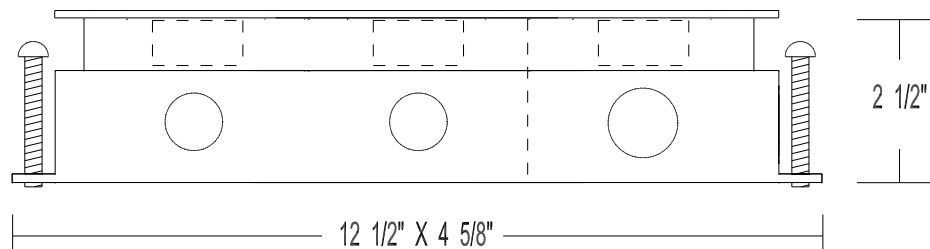


(2) DUPLEX OPENING  
POWER

DECORATOR OPENING  
COMMUNICATION

TOP VIEW



12 1/2" X 4 5/8"

SIDE VIEW



WELLMARK ELECTRIC  
PH: 519-650-4495  
wellmarkelectric.com

MATERIALS: COVER - 1/8" STAINLESS STEEL BOX - 16 GA GALVANIZED STEEL

NOTES: KNOCKOUTS: TWO ENDS (1) 1/2" TWO SIDES (2) 1/2" & (1) 3/4" BOTTOM (3) 1/2" & (3) 3/4"



TITLE

443 SERIES CONCRETE FLOOR BOX

DIMENSIONS IN INCHES  
UNLESS OTHERWISE SPECIFIED

SCALE NTS

REFERENCE

DR. BY MP

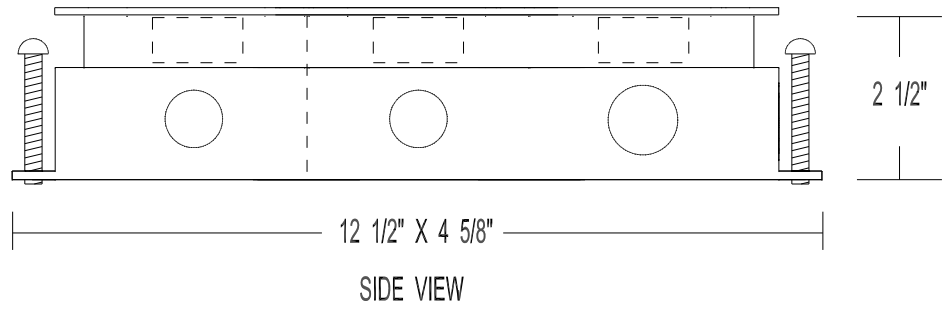
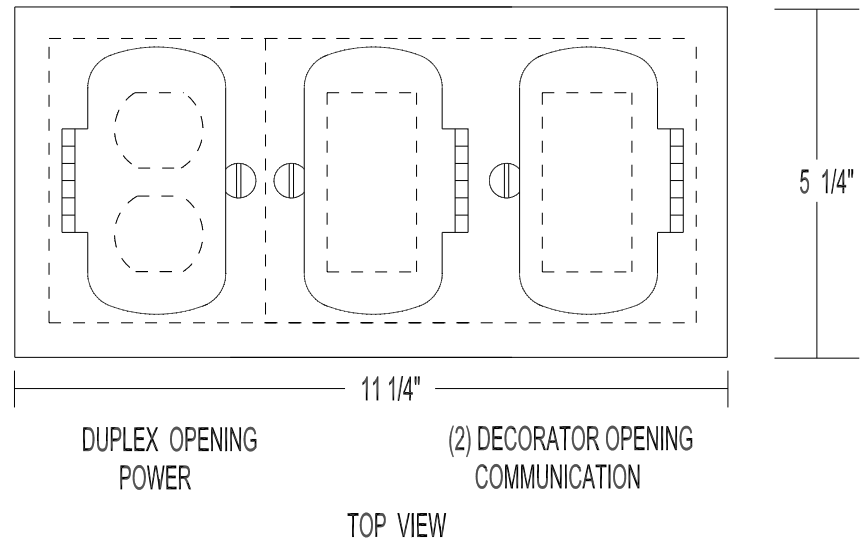
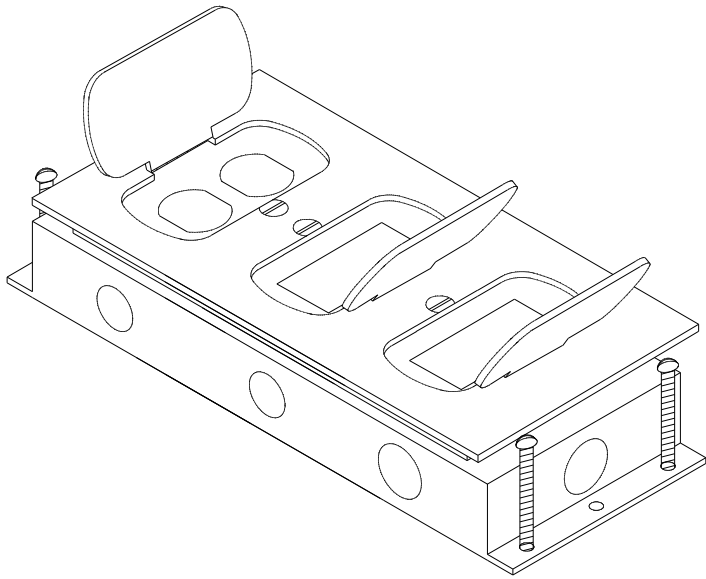
DATE 01 / 17

PART NO.

443S-C/YYX

APP. BY

DATE



WELLMARK ELECTRIC  
 PH: 519-650-4495  
 wellmarkelectric.com

MATERIALS: COVER - 1/8" STAINLESS STEEL BOX - 16 GA GALVANIZED STEEL

NOTES: KNOCKOUTS: TWO ENDS (1) 1/2" TWO SIDES (2) 1/2" & (1) 3/4" BOTTOM (3) 1/2" & (3) 3/4"



TITLE  
 443 SERIES CONCRETE FLOOR BOX

DIMENSIONS IN INCHES UNLESS OTHERWISE SPECIFIED	SCALE	NTS	REFERENCE
DR. BY MP	DATE	01 / 17	PART NO.
APP. BY	DATE		443S-C/XXX