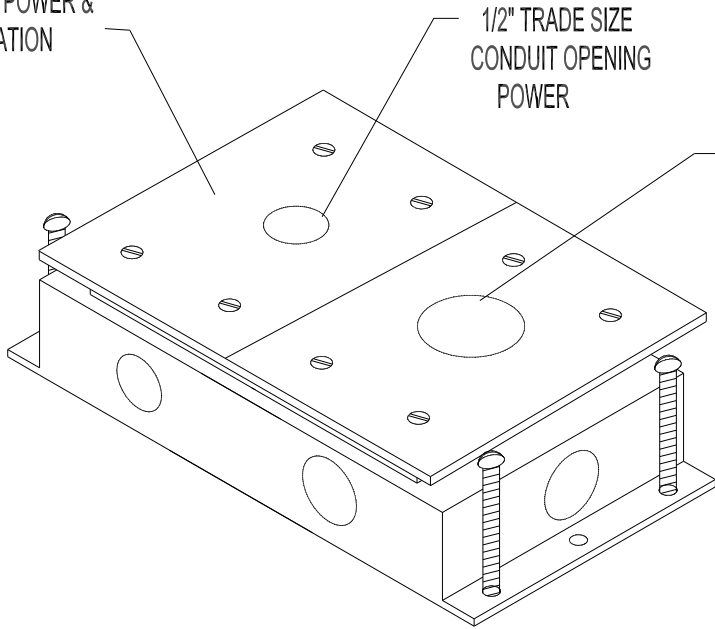
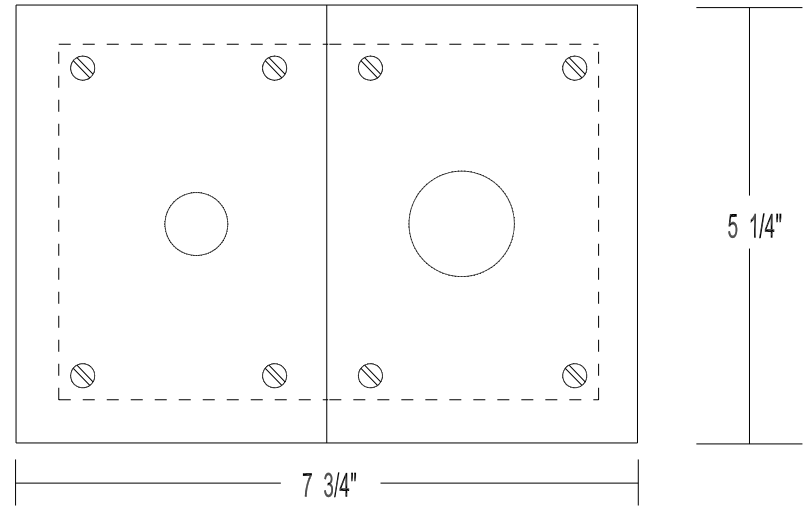


STAINLESS SPLIT PLATE  
ALLOWS INDEPENDENT  
ACCESS TO POWER &  
COMMUNICATION



1/2" TRADE SIZE  
CONDUIT OPENING  
POWER

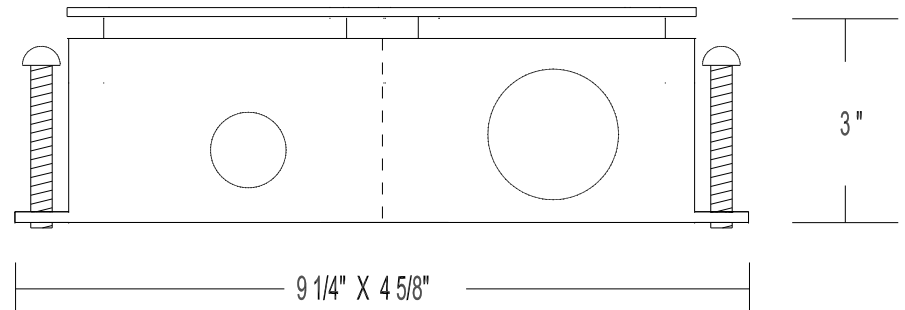
1" TRADE SIZE  
CONDUIT OPENING  
COMMUNICATION



POWER COMPARTMENT

COMMUNICATION COMPARTMENT

TOP VIEW



SIDE VIEW

WELLMARK ELECTRIC  
PH: 519-650-4495  
wellmarkelectric.com

MATERIALS: COVER - 1/8" STAINLESS STEEL BOX - 16 GA GALVANIZED STEEL

NOTES: KNOCKOUTS: ONE END (1) 3/4" ONE END (1) 1" TWO SIDES (1) 3/4" & (1) 1 1/2"



TITLE

442 SERIES CONCRETE FLOOR BOX

DIMENSIONS IN INCHES  
UNLESS OTHERWISE SPECIFIED

SCALE NTS

REFERENCE

DR. BY MP

DATE 01 / 20

PART NO.

442D-FRN-3/4P-1 1/2C

APP. BY

DATE